

Features:

- Yellow Diffused Type
- 3mm Standard directivity
- Superior weather-resistance
- RoHS compliant



Applications

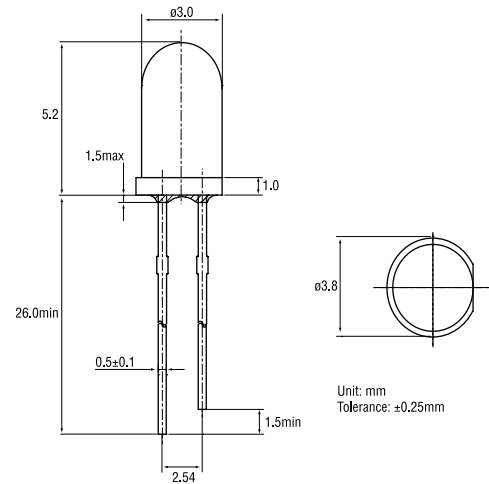
- Toys
- Games
- Audio
- Christmas Lights

Absolute maximum rating (Ta=25°C)

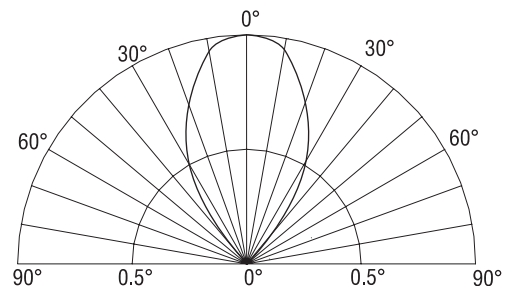
Item	Symbol	Value	Unit
DC forward current	I_F	50	mA
Pulse forward current*	I_{FP}	150	mA
Reverse voltage	V_R	5	V
Power dissipation	P_D	200	mW
Operating temperature	T_{opr}	-30 to +85	°C
Storage temperature	T_{stg}	-30 to +100	°C
Lead soldering temperature	T_{sol}	260°C/5 sec	-

*Pulse width max. 10ms. Duty ratio max. 1/10

Outline dimensions:



Directivity:



Electrical - Optical characteristics (Ta=25°C)

Item	Symbol	Condition	Min.	Typ.	Max.	Unit
DC Forward voltage	V_F	$I_F = 20\text{mA}$	1.8	2.0	2.4	V
DC Reverse current	I_R	$V_R = 5\text{V}$	-	-	30	μA
Domi. Wavelength	λ_D	$I_F = 20\text{mA}$	-	590	-	nm
Luminous intensity	I_v	$I_F = 20\text{mA}$	-	50	-	mcd
50% Power angle	$2\theta_{1/2}$	$I_F = 20\text{mA}$	-	60	-	deg