

Features:

- High power LEDs
- 5mm Standard directivity
- Superior weather-resistance
- UV Resistant epoxy
- Water Clear Type



Applications

- Electronics signs & signals
- Illuminations
- Back Lighting

Absolute maximum rating (Ta=25°C)

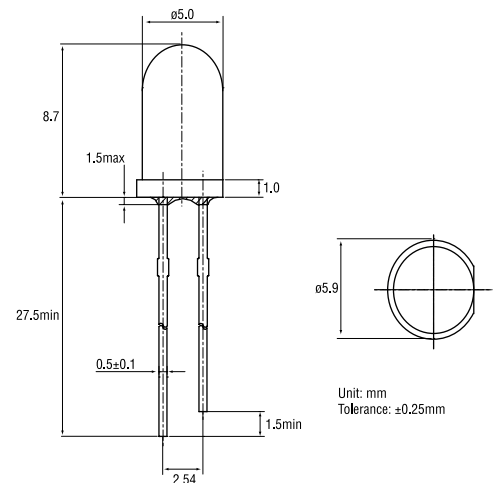
Item	Symbol	Value	Unit
DC forward current	I_F	30	mA
Pulse forward current*	I_{FP}	100	mA
Reverse voltage	V_R	5	V
Power dissipation	P_D	120	mW
Operating temperature	T_{opr}	-30 to +80	°C
Storage temperature	T_{stg}	-30 to +100	°C
Lead soldering temperature	T_{sol}	260°C/3 sec	-

*Pulse width max. 10ms. Duty ratio max. 1/10

Electrical - Optical characteristics (Ta=25°C)

Item	Symbol	Condition	Min.	Typ.	Max.	Unit
DC Forward voltage	V_F	$I_F = 20\text{mA}$	2.8	3.4	4.0	V
DC Reverse current	I_R	$V_R = 5\text{V}$	-	-	30	μA
Luminous intensity	I_v	$I_F = 20\text{mA}$	5000	6000	8000	mcd
Chromaticity Coordinate	x	$I_F = 20\text{mA}$	0.28	0.31	0.35	
	y	$I_F = 20\text{mA}$	0.29	0.32	0.34	
50% Power angle	$2\theta_{1/2}$	$I_F = 20\text{mA}$	-	60	-	deg

Outline dimensions:



Directivity:

