

## Features:

- High luminous LEDs
- 1.8 $\phi$  Standard directivity
- Superior weather resistance
- UV resistant epoxy
- Water clear type



## Applications

- General purpose indicators
- Small area illuminations
- Back lighting

## Absolute maximum rating (Ta=25°C)

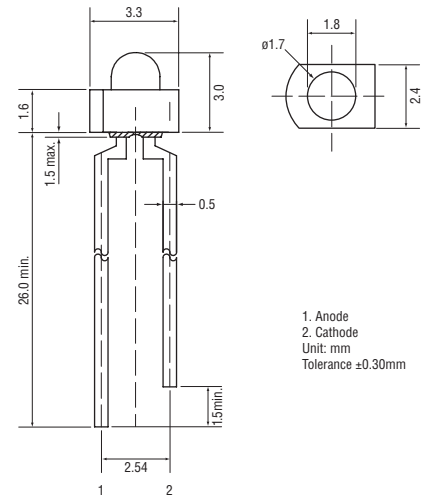
Item	Symbol	Value	Unit
DC forward current	$I_F$	30	mA
Pulse forward current*	$I_{FP}$	100	mA
Reverse voltage	$V_R$	5	V
Power dissipation	$P_D$	108	mW
Operating temperature	$T_{opr}$	-30 to +85	°C
Storage temperature	$T_{stg}$	-40 to +100	°C
Lead soldering temperature	$T_{sol}$	260°C/5 sec	-

\*Pulse width max. 10ms. Duty ratio max. 1/10

## Electrical - Optical characteristics (Ta=25°C)

Item	Symbol	Condition	Min.	Typ.	Max.	Unit
DC Forward voltage	$V_F$	$I_F = 20\text{mA}$	2.8	3.3	3.8	V
DC Reverse current	$I_R$	$V_R = 5\text{V}$	-	-	10	$\mu\text{A}$
Luminous intensity	$I_v$	$I_F = 20\text{mA}$	3000	4200	5800	mcd
Chromaticity Coordinate	x	$I_F = 20\text{mA}$	0.22	0.25	0.27	
	y	$I_F = 20\text{mA}$	0.21	0.26	0.28	
50% Power angle	$2\theta_{1/2}$	$I_F = 20\text{mA}$	-	30	-	deg

## Outline dimensions:



## Directivity:

