

## Features:

- High luminous LEDs
- 3mm Round standard directivity
- Superior weather-resistance
- Full colour flashing type
- White diffused type

## Applications

- Toys
- Games
- Audio
- Other lighting

## Absolute maximum rating (Ta=25°C)

Item	Symbol	Value	Unit
Blinking cycle	T	33	S
Power supply	Voltage	5.0	V
Operating temperature	Topr	-30 to +85	°C
Storage temperature	Tstg	-40 to +100	°C
Lead soldering temperature	Tsol	260°C/5sec	°C

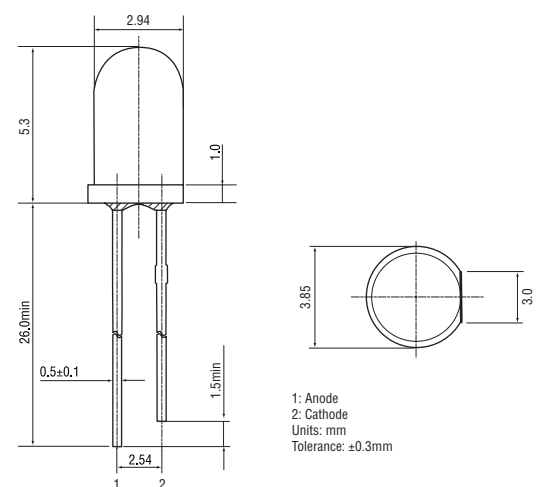
## Electrical - Optical characteristics (Ta=25°C)

Item	Symbol	Condition	Min.	Typ.	Max.	Unit
DC Forward voltage	$V_{dd}$	$I_F=20mA$	3.8	4.5	5	V
DC Reverse current	$I_R$	$V_R=5V$	-	-	10	$\mu A$
Domi. Wavelength*	$\lambda_D$ (Red)	$I_F=20mA$	619	624	629	nm
	$\lambda_D$ (Blue)	$I_F=20mA$	465	470	475	nm
	$\lambda_D$ (Green)	$I_F=20mA$	520	525	530	nm
Luminous intensity†	$I_V$ (Red)	$I_F=20mA$	-	2500	-	mcd
	$I_V$ (Blue)	$I_F=20mA$	-	1500	-	mcd
	$I_V$ (Green)	$I_F=20mA$	-	2500	-	mcd
50% Power angle	$2\theta_{1/2}$	$I_F=20mA$	-	30	-	deg

\* Tolerance of dominant wavelength is  $\pm 1nm$   
 † Tolerance of luminous intensity is  $\pm 15\%$



## Outline dimensions:



## Directivity:

