

1.8mm Miniature White Tower LED

Order code: **55-1992**

MPN: OSPW74G1B-JK

Features:

- High luminosity LEDs
- 7.0*1.8mm Tower Type Lamp
- Superior Weather-resistance
- UV Resistant Epoxy
- Water Clear Type

Applications

- Automotive Dashboard Lighting
- Back Lighting



Absolute maximum rating (Ta=25°C)

Item	Symbol	Value	Unit
DC forward current	I_F	30	mA
Pulse forward current*	I_{FP}	100	mA
Reverse voltage	V_R	5	V
Power dissipation	P_D	108	mW
Operating temperature	T_{opr}	-30 to +85	°C
Storage temperature	T_{stg}	-40 to +100	°C
Lead soldering temperature	T_{sol}	260°C/5sec	-

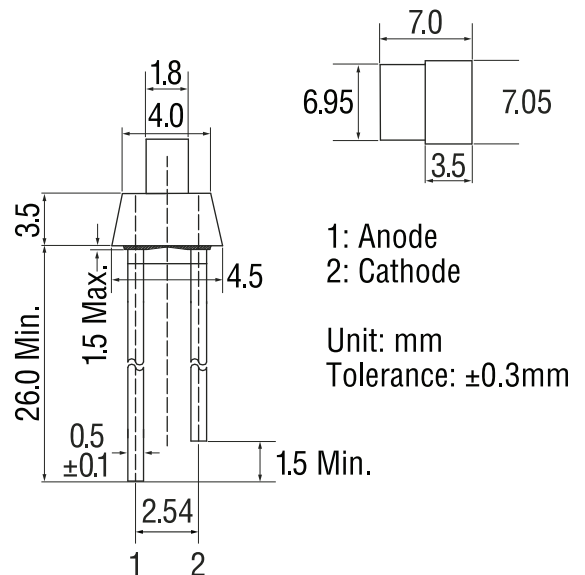
*Pulse width max. 10ms. Duty ratio max. 1/10

Electrical - Optical characteristics (Ta=25°C)

Item	Symbol	Condition	Min.	Typ.	Max.	Unit
DC forward voltage	V_F	$I_F = 20mA$	2.8	3.1	3.6	V
DC reverse current	I_R	$V_R = 5V$	-	-	10	μA
Luminous intensity	I_v	$I_F = 20mA$	500	750	1120	mcd
Chromaticity coordinates*	x	$I_F = 20mA$	-	0.27	-	
	y	$I_F = 20mA$	-	0.28	-	
50% Power angle	$2\theta_{1/2}$	$I_F = 20mA$	-	160	-	deg

*1 Tolerance of measurements of chromaticity coordinate is +10%
 *2 Tolerance of measurements of luminous intensity is +15%
 *3 Tolerance of measurements of forward voltage is $\pm 0.1V$

Outline dimensions:



Directivity:

