

## Features:

- High luminous LEDs
- 5.1 x 4.3mm Standard directivity
- Superior weather-resistance
- UV Resistant epoxy
- Colour diffused type & without stopper

## Applications

- Traffic signal, portable light source
- Signage and channel letter
- Decorating and entertainment lighting
- Architectural lighting
- Outdoor/Indoor LED displays

## Absolute maximum rating (Ta=25°C)

Item	Symbol	Value	Unit
DC forward current	$I_F$	30	mA
Pulse forward current*	$I_{FP}$	100	mA
Reverse voltage	$V_R$	5	V
Power dissipation	$P_D$	120	mW
Operating temperature	$T_{opr}$	-30 to +80	°C
Storage temperature	$T_{stg}$	-30 to +100	°C
Lead soldering temperature	$T_{sol}$	260°C/3 sec	-

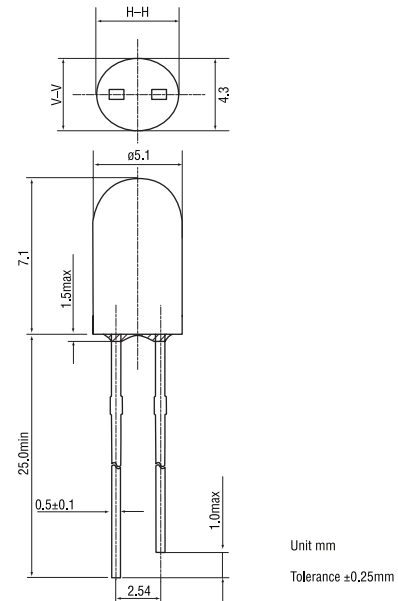
\*Pulse width max. 10ms. Duty ratio max. 1/10

## Electrical - Optical characteristics (Ta=25°C)

Item	Symbol	Condition	Min.	Typ.	Max.	Unit
DC Forward voltage	$V_F$	$I_F = 20\text{mA}$	2.8	3.3	3.8	V
DC Reverse current	$I_R$	$V_R = 5\text{V}$	-	-	10	$\mu\text{A}$
Domi. Wavelength	$\lambda_D$	$I_F = 20\text{mA}$	465	470	475	nm
Luminous intensity	$I_V$	$I_F = 20\text{mA}$	1120	1560	2180	mcd
50% Power angle	$2\theta_{1/2}$	$I_F = 20\text{mA}$	-	100/40	-	deg



## Outline dimensions:



## Directivity:

