

## Features:

- High luminous LEDs
- 3mm round standard directivity
- Long lifetime operation
- Superior weather-resistance
- UV resistant epoxy
- Water clear type

## Applications

- Electronic signs and signals
- Small area illuminations
- Back lighting
- Other lighting

## Absolute maximum rating (Ta=25°C)

| Item                       | Symbol    | Value       | Unit |
|----------------------------|-----------|-------------|------|
| DC forward current         | $I_F$     | 30          | mA   |
| Pulse forward current*     | $I_{FP}$  | 100         | mA   |
| Reverse voltage            | $V_R$     | 5           | V    |
| Power dissipation          | $P_D$     | 108         | mW   |
| Operating temperature      | $T_{opr}$ | -30 to +85  | °C   |
| Storage temperature        | $T_{stg}$ | -40 to +100 | °C   |
| Lead soldering temperature | $T_{sol}$ | 260°C/5sec  | -    |

\*Pulse width max. 10ms. Duty ratio max. 1/10

## Electrical - Optical characteristics (Ta=25°C)

| Item                      | Symbol          | Condition           | Min. | Typ. | Max. | Unit          |
|---------------------------|-----------------|---------------------|------|------|------|---------------|
| DC forward voltage        | $V_F$           | $I_F = 20\text{mA}$ | 2.8  | 3.1  | 3.6  | V             |
| DC reverse current        | $I_R$           | $V_R = 5\text{V}$   | -    | -    | 10   | $\mu\text{A}$ |
| Luminous intensity*       | $I_v$           | $I_F = 20\text{mA}$ | 500  | 750  | -    | mcd           |
| Colour temperature        | CCT             | $I_F = 20\text{mA}$ | -    | 3000 | -    | K             |
| Chromaticity Coordinates* | x               | $I_F = 20\text{mA}$ | -    | 0.45 | -    |               |
|                           | y               | $I_F = 20\text{mA}$ | -    | 0.41 | -    |               |
| 50% Power angle           | $2\theta_{1/2}$ | $I_F = 20\text{mA}$ | -    | 60   | -    | deg           |

\*1 Tolerance of measurements of chromaticity coordinates +10%

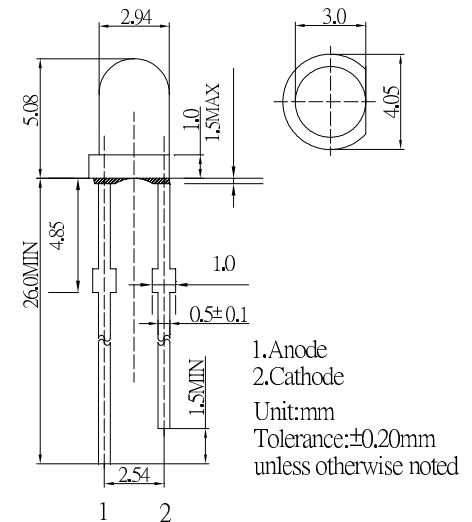
\*2 Tolerance of measurements of color temperature is +15%

\*3 Tolerance of measurements of luminous intensity is +15%

\*4 Tolerance of measurements of forward voltage is +0.1V



## Outline dimensions:



## Directivity:

