

Features:

- 5mm Standard directivity
- Superior weather-resistance
- UV Resistant epoxy
- Water clear type
- RoHS compliant

Applications

- Automotive dashboard lighting
- Back lighting

Absolute maximum rating (Ta=25 °C)

Item	Symbol	Value	Unit
DC Forward current	I_F	50	mA
Pulse forward current*	I_{FP}	100	mA
Reverse voltage	V_R	5	V
Power dissipation	P_D	110	mW
Operating temperature	T_{opr}	-30 to +80	°C
Storage temperature	T_{stg}	-30 to +100	°C
Lead soldering temperature	T_{sol}	260 °C/3 sec	-

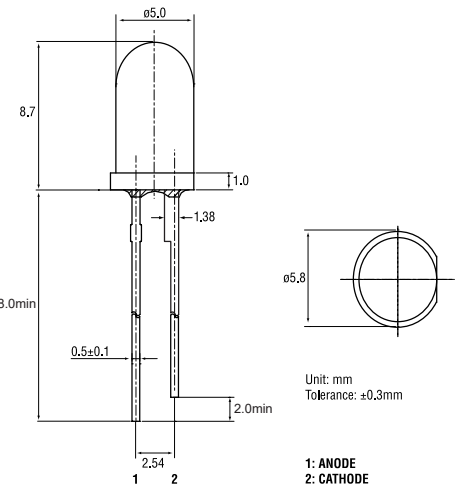
*Pulse width max. 10ms. Duty ratio max. 1/10

Electrical – Optical characteristics (Ta=25 °C)

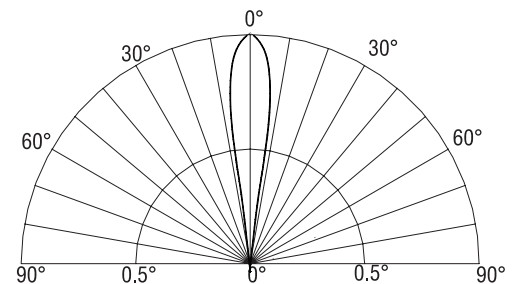
Item	Symbol	Condition	Min.	Typ.	Max.	Unit
DC Forward voltage	V_F	$I_F = 30mA$	3.0	3.3	3.6	V
DC Reverse current	I_R	$V_R = 5V$	-	-	10	μA
Chromaticity coordinate	x	$I_F = 30mA$	0.27	0.30	0.33	
	y	$I_F = 30mA$	0.28	0.31	0.34	
Luminous intensity	I_V	$I_F = 30mA$	25000	30000	35000	mcd
50% Power angle	$2\theta_{1/2}$	$I_F = 30mA$	-	15	-	deg



Outline dimensions:



Directivity:



Typical Characteristics:

*The data shows typical value

