

### Features:

- 5ø standard directivity
- Superior weather-resistance
- UV resistant epoxy
- Water clear type
- RoHS compliant

### Applications

- Automotive dashboard lighting
- Back lighting

### Absolute maximum rating (Ta=25 °C)

Item	Symbol	Value	Unit
DC forward current	$I_F$	50	mA
Pulse forward current*	$I_{FP}$	100	mA
Reverse voltage	$V_R$	5	V
Power dissipation	$P_D$	100	mW
Operating temperature	$T_{opr}$	-30 to +80	°C
Storage temperature	$T_{stg}$	-30 to +100	°C
Lead soldering temperature	$T_{sol}$	260 °C/3sec	-

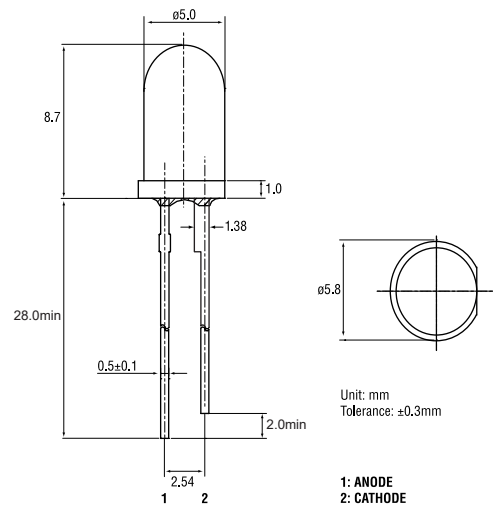
\*Pulse width max. 10ms. Duty ratio max. 1/10

### Electrical – Optical characteristics (Ta=25 °C)

Item	Symbol	Condition	Min.	Typ.	Max.	Unit
DC forward voltage	$V_F$	$I_F = 30mA$	3.0	3.4	4.0	V
DC reverse current	$I_R$	$V_R = 5V$	-	-	10	$\mu A$
Chromaticity Coordinates	x	$I_F = 30mA$	0.45	0.5	0.53	
	y	$I_F = 30mA$	0.40	0.43	0.47	
Luminous intensity	$I_v$	$I_F = 30mA$	22000	28000	-	mcd
50% power angle	$2\theta_{1/2}$	$I_F = 30mA$	-	0.15	-	deg



### Outline dimensions:



### Directivity:

