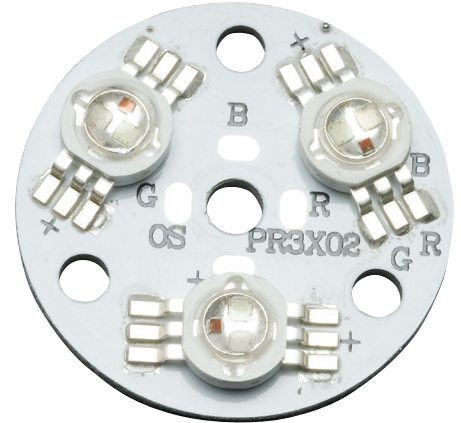


### Features:

- Highest Luminous Flux
- Super Energy Efficiency
- Long Life
- Quick Response
- Superior ESD Protection
- Superior UV Resistance

### Applications

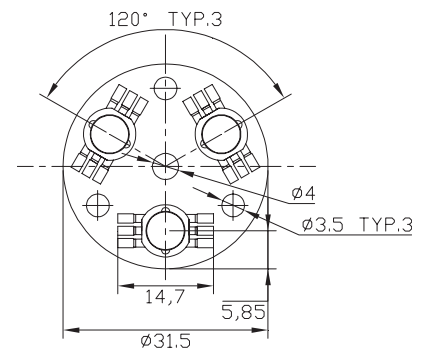
- Small Space Lighting
- Decorative Lights
- Mechanical equipment lights



### Absolute maximum rating (Ta=25°C)

Item	Symbol	Value	Unit
Operating temperature	Tope	-30~+85	°C
Storage temperature	Tstg	-40~+100	°C
Input voltage (DC)	Vi(R)	9	V
	Vi(B/G)	12	V
Input current (DC)	Ii	400	mA
Power dissipation	Pa(R)	3.6	W
	Pa(B/G)	4.8	W

### Outline dimensions:



### Electrical - Optical characteristics (Ta=25°C)

Item	Symbol	Condition	Min.	Typ.	Unit
Input voltage (DC)	Vi(R)	I <sub>F</sub> =350mA	6.0	7.5	V
	Vi(B/G)	I <sub>F</sub> =350mA	9.0	10.0	V
Power dissipation	Pa(R)	I <sub>F</sub> =350mA	2.100	2.625	W
	Pa(B/G)	I <sub>F</sub> =350mA	3.150	3.465	W
Whole luminous flux*	Φ <sub>v</sub> (R)	I <sub>F</sub> =350mA	120	150	lm
	Φ <sub>v</sub> (G)	I <sub>F</sub> =350mA	150	210	lm
	Φ <sub>v</sub> (B)	I <sub>F</sub> =350mA	30	45	lm
Beam pattern	BP	-	-	120	Deg
Net weight	Wei	-	-	5	g

### Circuit:

