

Features:

- High luminous LEDs
- 5mm Round standard directivity
- Long lifetime operation
- Superior weather-resistance
- UV Resistant epoxy
- Water clear type

Applications

- Traffic signal
- Backlighting
- Signal and channel letter
- Other lighting

Absolute maximum rating (Ta=25°C)

Item	Symbol	Value	Unit
DC Forward current	I_F	70	mA
Pulse forward current*	I_{FP}	120	mA
Reverse voltage	V_R	5	V
Power dissipation	P_D	182	mW
Operating temperature	T_{opr}	-30 to +85	°C
Storage temperature	T_{stg}	-40 to +100	°C
Lead soldering temperature	T_{sol}	260°C/5 sec	-

*Pulse width max. 10ms. Duty ratio max. 1/10

Electrical - Optical characteristics (Ta=25°C)

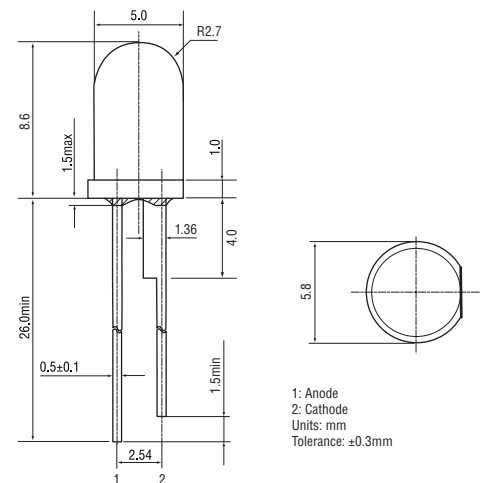
Item	Symbol	Condition	Min.	Typ.	Max.	Unit
DC Forward voltage	V_F	$I_F = 70\text{mA}$	2.0	2.3	2.6	V
DC Reverse current	I_R	$V_R = 5\text{V}$	-	-	10	μA
Domi. wavelength*	λ_D	$I_F = 70\text{mA}$	620	625	630	nm
Luminous intensity †	I_V	$I_F = 70\text{mA}$	18000	22000	-	mcd
50% Power angle	$2\theta_{1/2}$	$I_F = 70\text{mA}$	-	30	-	deg

* Tolerance of dominant wavelength is $\pm 1\text{nm}$

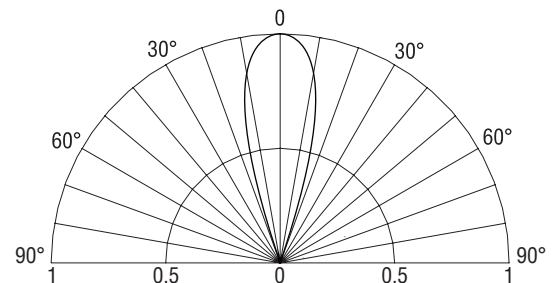
† Tolerance of luminous intensity is $\pm 15\%$



Outline dimensions:



Directivity:



Maximum forward DC current:

