



4.8mm Fluorescent Green 100° Water Clear LED

Order code: **55-2872**

MPN: OSG74L56A1A

Features:

- High luminosity LEDs
- 4.8mm straw standard directivity
- Long lifetime operation
- Superior weather-resistance
- Water clear type

Applications

- Backlighting (switches, keys, displays, illuminated advertising etc.)
- Substitution of micro incandescent lamps
- Reading lamps/emergency lighting
- Market lights (e.g. steps, exit ways, etc.)
- Other lighting

Absolute maximum rating (Ta=25°C)

Item	Symbol	Value	Unit
DC Forward current	I_F	30	mA
Pulse forward current*	I_{FP}	100	mA
Reverse voltage	V_R	5	V
Power dissipation	P_D	108	mW
Operating temperature	T_{opr}	-30 to +85	°C
Storage temperature	T_{stg}	-40 to +100	°C
Lead soldering temperature	T_{sol}	260°C/5 sec	-

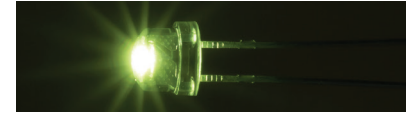
* Pulse width max. 10ms. Duty ratio max. 1/10

Electrical - Optical characteristics (Ta=25°C)

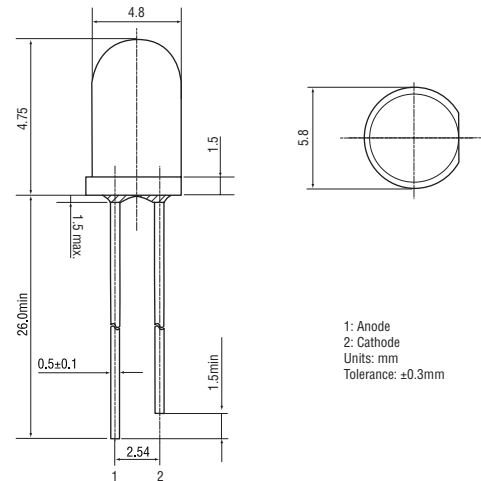
Item	Symbol	Condition	Min.	Typ.	Max.	Unit
DC Forward voltage	V_F	$I_F=20mA$	2.9	3.1	3.6	V
DC Reverse current	I_R	$V_R=5V$	-	-	10	μA
Luminous intensity†	I_V	$I_F=20mA$	1600	1900	-	mcd
Luminous flux†	Φ_V	$I_F=20mA$	6.5	7.2	-	lm
Chromaticity coordinates*	x	$I_F=20mA$	-	0.35	-	
	y	$I_F=20mA$	-	0.50	-	
50% Power angle	$2\theta_{1/2}$	$I_F=20mA$	-	100	-	deg

* Tolerance of dominant wavelength is $\pm 10\%$

† Tolerance of luminous intensity is $\pm 15\%$



Outline dimensions:



Directivity:

