

## MATERIAL MOISTURE IMPACT PROBE "FM-HP"

ITEM NO. 40 92 37

### INTENDED USE

The material moisture impact probe with integrated striker allows measurement of moisture content even in hard materials, e.g. wood or stonework.

The probe has a connection cable with round plug connector so that it can be connected directly to the material humidity instrument "FM-400".

Measuring under adverse ambient conditions such as dust and flammable gasses, vapours or solvents is not admissible.

Always observe the safety instructions and all other information included in these operating instructions.

This product complies with the applicable national and European requirements. All names of companies and products are the trademarks of the respective owners. All rights reserved.

### CONTENTS

- Material moisture impact probe
- 10 impact tips
- Operating instructions

### EXPLANATION OF THE SYMBOLS



In the operating manual, an exclamation mark inside a triangle indicates important instructions.

### SAFETY INSTRUCTIONS



**The warranty will be void in the event of damage caused by failure to observe these safety instructions! We do not assume any liability for any resulting damage!**

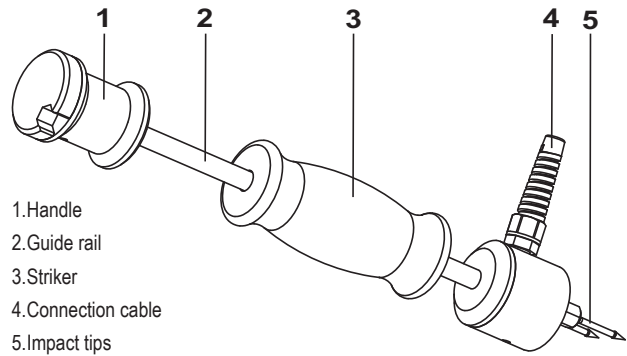
**We shall not accept liability for damage to property or personal injury caused by incorrect handling or non-compliance with the safety instructions. In such cases, the warranty will be null and void.**

- The unauthorised conversion and/or modification of the product is not permitted for safety and approval reasons (CE). Never dismantle the product.
- The product is not a toy. Therefore, be especially careful when children are around.

Operate and store the product where it is out of the reach of children.

- Never use the product immediately after it has been taken from a cold room to a warm one. The condensation which develops may destroy the product and the possibly connected instrument under certain circumstances.
- Avoid the following adverse conditions at the installation location and during transport:
  - Extreme cold or heat, direct sunlight
  - Dust or flammable gases, fumes or solvents
  - Strong impacts, blows
- Do not leave packaging material carelessly lying around, since it could become a dangerous plaything for children.
- Handle the product with care; it can be damaged by impacts, blows, or accidental falls, even from a low height.
- When using the product, make sure that objects such as cables and lines are not squeezed or even damaged.
- Always hold the striker firmly in one hand and make sure that you keep your hands away from the guide rails when using it. There is a risk of injury.
- Always also hold the impact probe tightly during the measurement process. The impact tips may come off the material. Risk of injury.
- For very solid materials, make sure that the impact tips do not break when punching in the striker.
- Always demount the sensor tips after use to avoid injuries.
- Always store the product including all accessories carefully so that it will not be damaged.

### CONTROLS



1. Handle
2. Guide rail
3. Striker
4. Connection cable
5. Impact tips

### GETTING STARTED

- Mount the impact tips "5" to the impact probe. Tighten the screws hand-tight. Tighten them a little more, if necessary, with an 11 mm hexagonal wrench. Do not use too much force.
- Connect the round plug connector at the end of the connection line "4" to the meter.
- Fixate the material to be measured and hold the impact probe securely at the handle "1".
- Use the striker "3" by pulling it upwards and towards you. Release the striker. The striker's self-weight is generally sufficient. When doing so, make sure that the guide rail "2" is freely moveable so that nothing is not pinched or damaged. For harder materials such as walls, repeat this procedure or assist with your hands until the impact probes "5" are inserted slightly into the material.
- To obtain the measurement values, refer to the operating instructions of the instrument.

### MAINTENANCE AND CLEANING

The material moisture impact probe does not require maintenance.

Never clean the product when it is connected to the mains.

A clean, damp, soft cloth is sufficient for cleaning.

Clean the sensor tips immediately after each use. Otherwise, the measurement tolerances may be the result.

Do not use any aggressive cleaning agents. Do not press too strongly on the surface when cleaning, to prevent scratch marks.

The guide rail "2" may be cleaned with a light oil, if necessary.

### DISPOSAL



Dispose of an unserviceable product in accordance with the relevant statutory regulations.

### TECHNICAL DATA

Connection	Round plug connector
Cable length	100 cm
Length of impact tips	45 mm
Impact depth	35 mm
Length of hammer	33 cm
Weight	1.9 kg

#### Legal notice

These operating instructions are a publication by Voltcraft®, Lindenweg 15, D-92242 Hirschau/Germany, Phone +49 96 04 / 40 87 80 (www.voltcraft.de).

All rights including translation reserved. Reproduction by any method, e.g. photocopy, microfilming, or the capture in electronic data processing systems require the prior written approval by the editor. Reprinting, also in part, is prohibited.

These operating instructions represent the technical status at the time of printing. Changes in technology and equipment reserved.

© Copyright 2013 by Voltcraft®