

Features:

- High luminous PLCC4 top SMD LEDs
- 3.5 x 2.8 x 1.9mm standard directivity
- Superior weather-resistance
- UV Resistant epoxy
- Water clear type



Applications

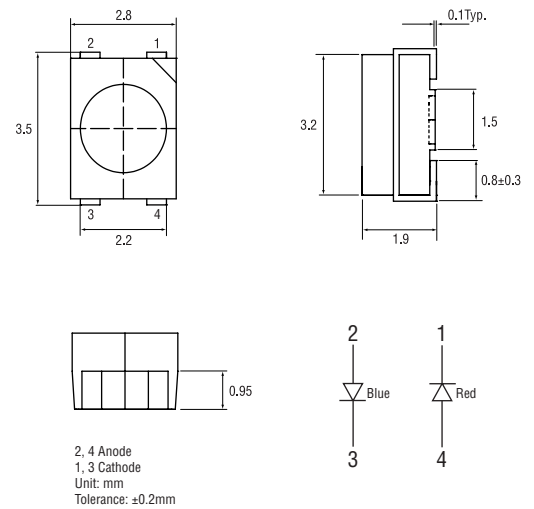
- Toys
- Audio
- Games
- Other lighting

Absolute maximum rating (Ta=25°C)

Item	Symbol	Value		Unit
		Red	Blue	
DC forward current	I_F	30	30	mA
Pulse forward current*	I_{FP}	100	100	mA
Reverse voltage	V_R	5	5	V
Power dissipation	P_D	78	108	mW
Operating temperature	T_{opr}	-30 to +85		°C
Storage temperature	T_{stg}	-40 to +100		°C
Lead soldering temperature	T_{sol}	260°C/5sec		-

*Pulse width max. 10ms. Duty ratio max. 1/10

Outline dimensions:



Electrical - Optical characteristics (Ta=25°C)

Item	Symbol	Condition	Min.	Typ.	Max.	Unit
DC forward voltage ³	V_F (Red)	$I_F = 20\text{mA}$	1.8	2.1	2.6	V
	V_F (Blue)	$I_F = 20\text{mA}$	2.9	3.1	3.6	V
DC reverse current	I_R	$V_R = 5\text{V}$	-	-	10	µA
Dominant wavelength ¹	λ_D (Red)	$I_F = 20\text{mA}$	620	625	630	nm
	λ_D (Blue)	$I_F = 20\text{mA}$	465	470	475	nm
Luminous intensity ²	I_V (Red)	$I_F = 20\text{mA}$	100	150	-	mcd
	I_V (Blue)	$I_F = 20\text{mA}$	100	130	-	mcd
50% Power angle	$2\theta_{1/2}$	$I_F = 20\text{mA}$	-	120	-	deg

1 Tolerance of measurements of dominant wavelength is ±1nm

2 Tolerance of measurements of luminous intensity is ±15%

3 Tolerance of measurements of forward voltage is ±0.1V

Directivity:

