



4.8mm Warm White 9V Water Clear 130° LED

Order code: **55-9126**

MPN: OS5MPL56D1A

Features:

- High luminous flux LEDs
- 4.8mm Straw standard directivity
- Superior weather-resistance
- UV Resistant epoxy
- Water clear type

Applications

- Backlighting (illuminated advertising etc.)
- Substitution of micro incandescent lamps
- Reading lamps/emergency lighting
- Marker lights (e.g. steps, exit ways, etc.)
- Other lighting

Absolute maximum rating (Ta=25°C)

Item	Symbol	Value	Unit
DC Forward current	I_F	25	mA
Pulse forward current*	I_{FP}	120	mA
Reverse voltage	V_R	15	V
Power dissipation	P_D	255	mW
Operating temperature	T_{opr}	-30 to +85	°C
Storage temperature	T_{stg}	-40 to +100	°C
Lead soldering temperature	T_{sol}	260°C/5sec	-

*Pulse width max. 10ms. Duty ratio max. 1/10.

Electrical - Optical characteristics (Ta=25°C)

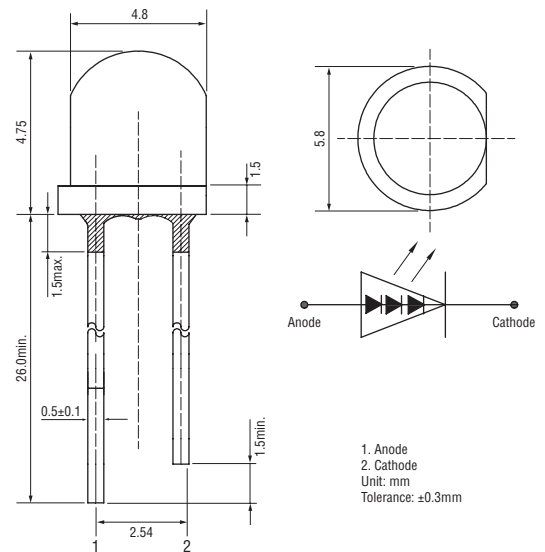
Item	Symbol	Condition	Min.	Typ.	Max.	Unit
DC Forward voltage	V_F	$I_F = 20mA$	8.4	8.9	10.2	V
DC Reverse current	I_R	$V_R = 15V$	-	-	10	μA
Luminous flux*	Φ_V	$I_F = 20mA$	20	22	-	lm
Luminous intensity	I_V	$I_F = 20mA$	4500	5200	-	mcd
Colour temperature	CCT	$I_F = 20mA$	2600	3000	3500	K
Chromaticity coordinates †	x	$I_F = 20mA$	-	0.44	-	
	y	$I_F = 20mA$	-	0.41	-	
50% Power angle	$2\theta_{1/2}$	$I_F = 20mA$	-	130	-	deg

* Luminous intensity measurement allowance is $\pm 15\%$.

† Chromaticity coordinates measurement allowance is $\pm 10\%$.



Outline dimensions:



Directivity:

