

Features:

- High luminous LEDs
- 2.5 x 5 x 8.7mm rectangular standard directivity
- Superior weather-resistance
- UV Resistant epoxy
- Water clear type

Applications

- Electronic signs and signals
- Small area illumination
- Back lighting
- Other lighting

Absolute maximum rating (Ta=25°C)

Item	Symbol	Value	Unit
DC Forward current	I_F	20	mA
Pulse forward current*	I_{FP}	60	mA
Reverse voltage	V_R	15	V
Power dissipation	P_D	260	mW
Operating temperature	T_{opr}	-30 to +85	°C
Storage temperature	T_{stg}	-40 to +100	°C
Lead soldering temperature	T_{sol}	260°C/5sec	-

*Pulse width max. 10ms. Duty ratio max. 1/10.

Electrical - Optical characteristics (Ta=25°C)

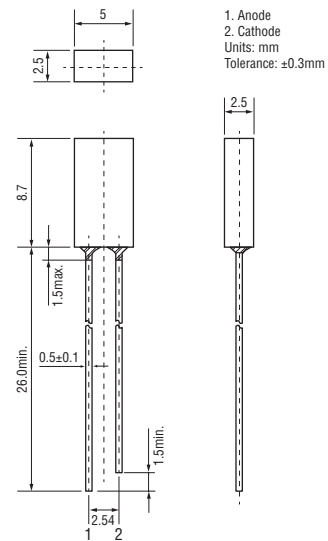
Item	Symbol	Condition	Min.	Typ.	Max.	Unit
DC Forward voltage	V_F	$I_F = 20\text{mA}$	10	11	13	V
DC Reverse current	I_R	$V_R = 5\text{V}$	-	-	10	μA
Luminous flux*	Φ_V	$I_F = 20\text{mA}$	33	35	-	lm
Colour temperature	CCT	$I_F = 20\text{mA}$	6500	8000	12000	K
Chromaticity coordinates †	x	$I_F = 20\text{mA}$	-	0.29	-	-
	y	$I_F = 20\text{mA}$	-	0.30	-	-
50% Power angle	$2\theta_{1/2}$	$I_F = 20\text{mA}$	-	360	-	deg

* Luminous flux measurement allowance is $\pm 15\%$.

† Chromaticity coordinates measurement allowance is $\pm 10\%$.



Outline dimensions:



Directivity:

