

# 12V 360° Rectangular Water Clear Warm White LED

Order code: **55-9128**

MPN: OSM5D479X1B

## Features:

- High luminous LEDs
- 2.5 x 5 x 8.7mm rectangular standard directivity
- Superior weather-resistance
- UV Resistant epoxy
- Water clear type



## Applications

- Electronic signs and signals
- Small area illuminations
- Back lighting
- Other lighting

## Absolute maximum rating (Ta=25°C)

Item	Symbol	Value	Unit
DC Forward current	$I_F$	20	mA
Pulse forward current*	$I_{FP}$	60	mA
Reverse voltage	$V_R$	15	V
Power dissipation	$P_D$	260	mW
Operating temperature	$T_{opr}$	-30 to +85	°C
Storage temperature	$T_{stg}$	-40 to +100	°C
Lead soldering temperature	$T_{sol}$	260°C/5sec	-

\*Pulse width max. 10ms. Duty ratio max. 1/10.

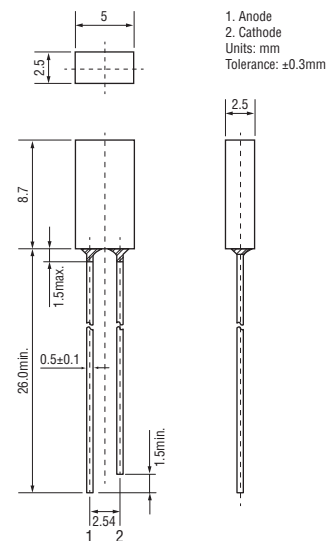
## Electrical – Optical characteristics (Ta=25°C)

Item	Symbol	Condition	Min.	Typ.	Max.	Unit
DC Forward voltage	$V_F$	$I_F = 20\text{mA}$	10	11	13	V
DC Reverse current	$I_R$	$V_R = 5\text{V}$	-	-	10	$\mu\text{A}$
Luminous flux*	$\Phi_v$	$I_F = 20\text{mA}$	35	38	-	lm
Colour temperature	CCT	$I_F = 20\text{mA}$	2700	3200	4000	K
Chromaticity coordinates †	x	$I_F = 20\text{mA}$	-	0.42	-	-
	y	$I_F = 20\text{mA}$	-	0.39	-	-
50% Power angle	$2\theta_{1/2}$	$I_F = 20\text{mA}$	-	360	-	deg

\* Luminous flux measurement allowance is  $\pm 15\%$ .

† Chromaticity coordinates measurement allowance is  $\pm 10\%$ .

## Outline dimensions:



## Directivity:

