

## Features:

- High luminous LEDs
- 3mm Round standard directivity
- Superior weather-resistance
- UV resistant epoxy
- Water clear type

## Applications

- Electronic signs and signals
- Small area illuminations
- Back lighting
- Other lighting

## Absolute maximum rating (Ta=25°C)

| Item                       | Symbol    | Value       | Unit |
|----------------------------|-----------|-------------|------|
| DC Forward current         | $I_F$     | 30          | mA   |
| Pulse forward current*     | $I_{FP}$  | 100         | mA   |
| Reverse voltage            | $V_R$     | 5           | V    |
| Power dissipation          | $P_D$     | 108         | mW   |
| Operating temperature      | $T_{opr}$ | -30 to +85  | °C   |
| Storage temperature        | $T_{stg}$ | -40 to +100 | °C   |
| Lead soldering temperature | $T_{sol}$ | 260°C/5sec  | -    |

\* Pulse width max. 10ms Duty ratio max. 1/10

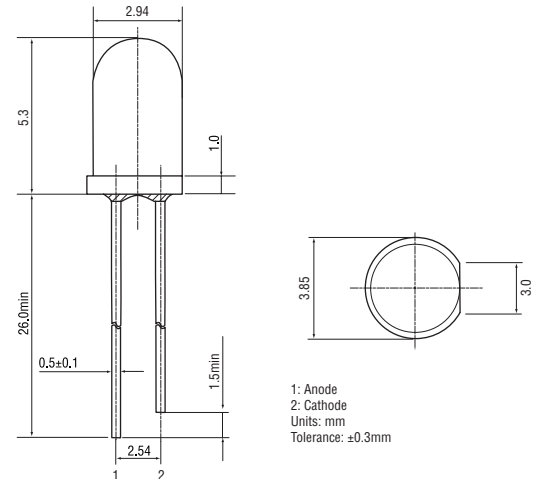
## Electrical – Optical characteristics (Ta=25°C)

| Item                                  | Symbol          | Condition           | Min. | Typ. | Max. | Unit          |
|---------------------------------------|-----------------|---------------------|------|------|------|---------------|
| DC Forward voltage                    | $V_F$           | $I_F = 20\text{mA}$ | 2.9  | 3.1  | 3.6  | V             |
| DC Reverse current                    | $I_R$           | $V_R = 5\text{V}$   | -    | -    | 10   | $\mu\text{A}$ |
| Luminous intensity*                   | $I_v$           | $I_F = 20\text{mA}$ | 3000 | 4200 | -    | mcd           |
| Chromaticity coordinates <sup>†</sup> | x               | $I_F = 20\text{mA}$ | -    | 0.25 | -    |               |
|                                       | y               | $I_F = 20\text{mA}$ | -    | 0.14 | -    |               |
| 50% Power angle                       | $2\theta_{1/2}$ | $I_F = 20\text{mA}$ | -    | 30   | -    | deg           |

\* Tolerance of luminous intensity is  $\pm 15\%$

<sup>†</sup> Tolerance of chromaticity coordinates is  $\pm 10\%$

## Outline dimensions:



## Directivity:

