

60s/cycle 30° 4.5V 20mA Water Clear Lens

Features:

- High luminous LEDs
- 5mm Round standard directivity
- Superior weather-resistance
- Colour changing type
- Water clear type

Order codes: **55-9207**

MPN: OST1MK5A31A

Applications

- Toys
- Games
- Audio
- Other lighting

Absolute maximum rating (Ta=25°C)

Item	Symbol	Value	Unit
Power supply	Voltage	5	V
Operating temperature	Topr	-30 to +85	°C
Storage temperature	Tstg	-40 to +100	°C
Lead soldering temperature	Tsol	260°C/5sec	-

Electrical - Optical characteristics (Ta=25°C)

Item	Symbol	Condition	Min.	Typ.	Max.	Unit
DC Forward voltage	V _{dd}	I _F = 20mA	3.8	4.5	5.0	V
Oscillator frequency*	F _{led}	I _F = 20mA	-	60	-	S
Duty cycle	Duty	I _F = 20mA	-	-	-	-
Dominant wavelength**	λ _D (Red)	I _F = 20mA	620	625	630	nm
	λ _D (Blue)	I _F = 20mA	465	470	475	nm
	λ _D (Green)	I _F = 20mA	520	525	530	nm
Luminous intensity***	I _v (Red)	I _F = 20mA	7000	8400	-	mcd
	I _v (Blue)	I _F = 20mA	3000	4000	-	mcd
	I _v (Green)	I _F = 20mA	12000	14400	-	mcd
50% Power angle	2θ _{1/2}	I _F = 20mA	-	30	-	deg

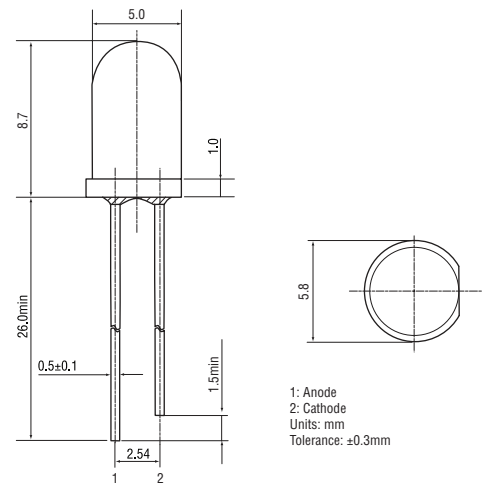
* Tolerance of frequency is ±20%

** Tolerance of dominant wavelength is ±1nm

*** Tolerance of luminous intensity is ±15%



Outline dimensions:



Directivity:

