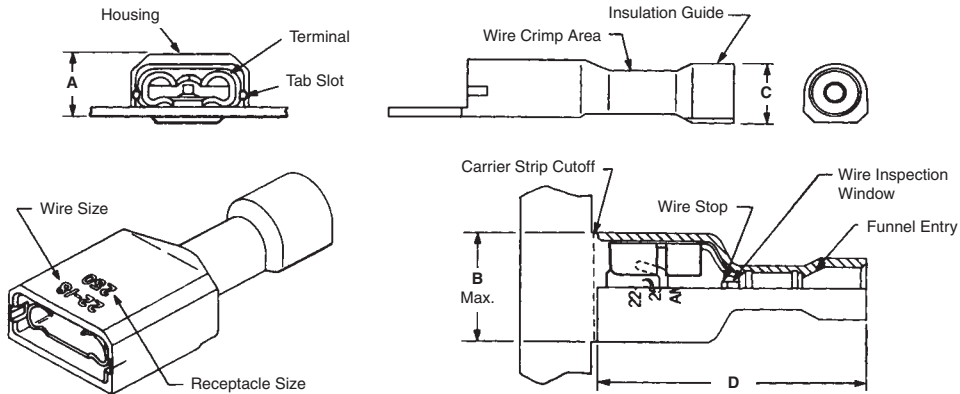


Ultra-Fast Fully Insulated FASTON Receptacles and Tabs (Continued)

Ultra-Fast Fully Insulated FASTON Receptacles

Material

- Housing** — Nylon Type 6/6
- Flammability** — UL 94 V-2
- Terminal** — Tin plated, copper alloy
- Color Code (Translucent)**
- Violet** — 26-22 AWG
- Red** — 22-18 AWG
- Blue** — 16-14 AWG
- Yellow** — 12-10 AWG



Description	Wire Range AWG	Ins. Dia. Max.	Dimensions				Mating Tab	Terminal Base Material	Part Numbers			
			A	B	C	D			Strip	Loose Piece		
.110/.125 Series	26-22	.100 2.54	.145 3.68	.275 6.99	.138 3.51	.735 18.67	.020 x .110/.125 0.51 x 2.79/3.18	Brass	7-520365-2 ¹	7-520366-2 ¹		
									2-520080-2 ¹	2-520081-2 ¹		
	22-18	.120 3.05	.160 4.06	.275 6.99	.167 4.24	.735 18.67	.020 x .110/.125 0.51 x 2.79/3.18	Brass	2-520083-2	2-520084-2		
									.032 x .110/.125 0.81 x 2.79/3.18	Brass	2-520272-2 ³	2-520273-2
											.020 x .110/.125 0.51 x 2.79/3.18	Brass
									.032 x .110/.125 0.81 x 2.79/3.18	Brass		
	16-14	.260 6.60	.175 4.45	.275 6.99	.325 8.26	.865 21.97	.020 x .110/.125 0.51 x 2.79/3.18	Brass			3-520370-2 ²	—
									.020 x .187 0.51 x 4.75	Brass	2-520181-2 ³	2-520182-2
	.135 3.43	.165 4.19	.336 8.53	.200 5.08	.855 21.72	.032 x .187 0.81 x 4.75	Phos. Brz.	2-520181-4			—	
								.032 x .187 0.81 x 4.75	Brass	2-520193-2 ³	2-520194-2	
.187 Series	22-18	.230 5.84	.165 4.19	.336 8.53	.295 7.49	.935 23.75	.020 x .187 0.51 x 4.75			Brass	2-520261-2 ³	2-520262-2
								.032 x .187 0.81 x 4.75	Brass		2-520274-2	2-520275-2
	16-14	.160 4.06	.185 4.70	.336 8.53	.225 5.72	.855 21.72	.020 x .187 0.51 x 4.75			Brass	3-350815-2	3-350816-2
								.032 x .187 0.81 x 4.75	Brass		3-520124-2 ³	3-520125-2
.260 6.60	.185 4.70	.336 8.53	.325 8.26	.935 23.75	.020 x .187 0.51 x 4.75	Brass	3-520150-2			3-520151-2		
							.032 x .187 0.81 x 4.75	Brass	3-520276-2 ³	—		
.205 Series	22-18	.135 3.43	.195 4.95	.409 10.39	.200 5.08	.855 21.72			.020 x .205 0.81 x 5.21	Brass	2-521406-2	—
							.032 x .205 0.81 x 5.21	Brass			2-521308-2	—
.250 Series	22-18	.135 3.43	.195 4.95	.409 10.39	.200 5.08	.855 21.72			.032 x .250 0.81 x 6.35	Brass	2-520183-2 ³	2-520184-2
							Phos. Brz.	2-520183-4			2-520184-4	
	.230 5.84	.195 4.95	.409 10.39	.295 7.49	.935 23.75	.032 x .250 0.81 x 6.35		Phos. Brz.	2-520263-2	2-520264-2		
							Phos. Brz.		2-520263-4	—		
16-14	.160 4.06	.195 4.95	.409 10.39	.225 5.72	.855 21.72	.032 x .250 0.81 x 6.35		Phos. Brz.	3-350819-2	3-350820-2		
							Phos. Brz.		3-520116-2	3-520117-2		
.260 6.60	.195 4.95	.409 10.39	.325 8.26	.935 23.75	.032 x .250 0.81 x 6.35	Phos. Brz.		3-520140-2	3-520141-2			
							Phos. Brz.	3-520140-4	—			
12-10	.320 8.13	.250 6.35	.409 10.39	.388 9.86	.935 23.75	.032 x .250 0.81 x 6.35		Brass	4-520447-2 ³	4-520448-2		

¹ UL Recognized, CSA Certified.
² UL Recognized 8 AMPS Max. CSA Certified.
³ Available with black insulator — Part Number 9-XXXXXX-2.

Note: All part numbers are RoHS compliant.

Ultra-Fast Fully Insulated FASTON Receptacles and Tabs