

Features:

- High luminous LEDs
- 5mm round standard directivity
- Superior weather-resistance
- UV Resistant epoxy
- White diffused type

Applications

- Toys
- Games
- Audio
- Other lighting

Absolute maximum rating (Ta=25°C)

Item	Symbol	Value		Unit
		Red	Blue	
DC forward current	I_F	30	30	mA
Pulse forward current*	I_{FP}	100	100	mA
Reverse voltage	V_R	5	5	V
Power dissipation	P_D	78	108	mW
Operating temperature	T_{opr}	-30 to +85		°C
Storage temperature	T_{stg}	-40 to +100		°C
Lead soldering temperature	T_{sol}	260°C/5sec		-

*Pulse width max. 10ms. Duty ratio max. 1/10

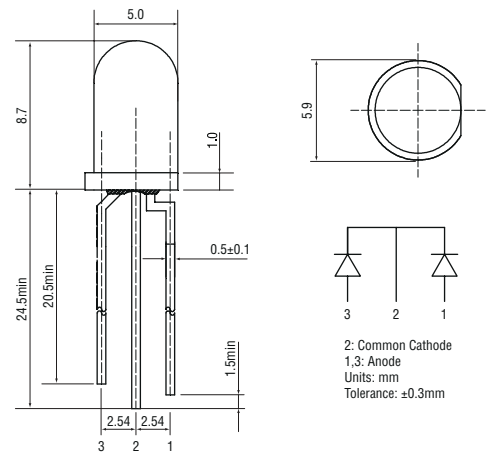
Electrical - Optical characteristics (Ta=25°C)

Item	Symbol	Condition	Min.	Typ.	Max.	Unit
DC forward voltage	V_F (Red)	$I_F = 20\text{mA}$	1.8	2.1	2.6	V
DC forward voltage	V_F (Blue)	$I_F = 20\text{mA}$	2.9	3.1	3.6	V
DC reverse current	I_R	$V_R = 5\text{V}$	-	-	10	μA
Dominant wavelength*	λ_D (Red)	$I_F = 20\text{mA}$	620	625	630	nm
	λ_D (Blue)	$I_F = 20\text{mA}$	465	470	475	nm
Luminous intensity†	I_V (Red)	$I_F = 20\text{mA}$	3000	4200	-	med
	I_V (Blue)	$I_F = 20\text{mA}$	2180	3000	-	mcd
50% Power angle	$2\theta_{1/2}$	$I_F = 20\text{mA}$	-	30	-	deg

* Tolerance of dominant wavelength is $\pm 1\text{nm}$
 † Tolerance of luminous intensity is $\pm 15\%$



Outline dimensions:



Directivity:

