

Features:

- High Luminous LEDs
- 5mm Round Standard Directivity
- Long Lifetime Operation
- Superior Weather-resistance
- UV Resistant Epoxy
- AC LED

Applications

- Toys
- Audio
- Games
- Other lighting

Absolute maximum rating (Ta=25°C)

Item	Symbol	Value		Unit
		Blue	Blue	
DC forward current	I_F	30	30	mA
Pulse forward current*	I_{FP}	100	100	mA
Reverse voltage	V_R	5	5	V
Power dissipation	P_D	108	108	mW
Operating temperature	T_{opr}	-30 to +85		°C
Storage temperature	T_{stg}	-40 to +100		°C
Lead soldering temperature	T_{sol}	260°C/5sec		-

*Pulse width max. 10ms. Duty ratio max. 1/10

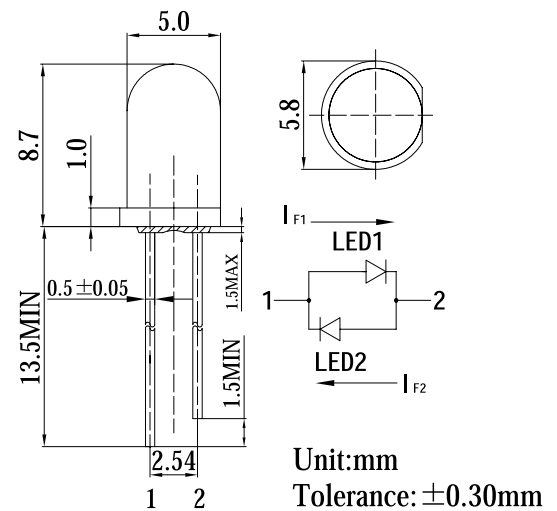
Electrical - Optical characteristics (Ta=25°C)

Item	Symbol	Condition	Min.	Typ.	Max.	Unit
DC forward voltage	V_F (Blue)	$I_F = 20mA$	2.9	3.1	3.6	V
	V_F (Blue)	$I_F = 20mA$	2.9	3.1	3.6	V
DC Reverse Current	I_R	$V_R=5V$	-	-	10	μA
Domi. Wavelength*	λ_D	$I_F = 20mA$	465	470	475	nm
	λ_D	$I_F = 20mA$	465	470	475	nm
Luminous intensity*	I_V (Blue)	$I_F = 20mA$	4200	5800	-	mcd
	I_V (Blue)	$I_{F2} = 20m$	4200	5800	-	mcd
50% Power angle	$2\theta_{1/2}$	$I_F = 20mA$	-	15	-	deg

*1 Tolerance of dominant chromaticity is +10%
*2 Tolerance of luminous intensity is $\pm 15\%$



Outline dimensions:



Directivity:

