

# 2mm 12V Tower LED Warm White 3,000K 220MCD Diffused

Order code: **56-3060**

MPN: OSM5DK7K92B -12V

## Features:

- High luminosity LEDs
- 2.0mm tower standard directivity
- Superior weather-resistance
- UV resistant epoxy
- Integral current limiting resistor
- TTL compatible (requires no external current limiter with 12 volt supply)
- Cost effective (saves space and resistor cost)
- White diffused type

## Applications

- Electronic signs and signals
- Small area illuminations
- Back lighting
- Other lighting

## Absolute maximum rating (Ta=25°C)

| Item                       | Symbol    | Value       | Unit |
|----------------------------|-----------|-------------|------|
| DC forward voltage         | $V_F$     | 12          | V    |
| Reverse voltage            | $V_R$     | 5           | V    |
| Power dissipation          | $P_D$     | 120         | mW   |
| Operating temperature      | $T_{opr}$ | -30 to +85  | °C   |
| Storage temperature        | $T_{stg}$ | -40 to +100 | °C   |
| Lead soldering temperature | $T_{sol}$ | 260°C/5sec  | -    |

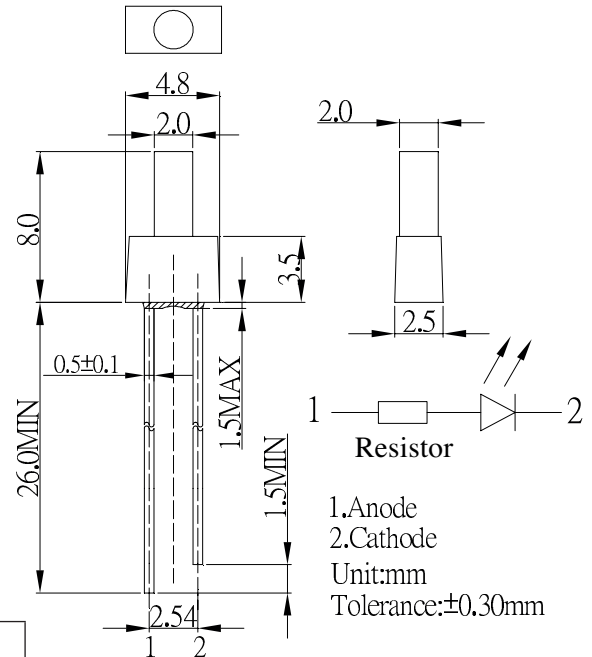
\*Pulse width max. 10ms. Duty ratio max. 1/10

## Electrical - Optical characteristics (Ta=25°C)

| Item                      | Symbol          | Condition    | Min. | Typ. | Max. | Unit    |
|---------------------------|-----------------|--------------|------|------|------|---------|
| DC forward current        | $I_F$           | $I_F = 12V$  | -    | 10   | -    | mA      |
| DC reverse current        | $I_R$           | $V_R = 5V$   | -    | -    | 10   | $\mu A$ |
| Chromaticity coordinates* | x               | $I_F = 20mA$ | -    | 0.45 | -    |         |
|                           | y               | $I_F = 20mA$ | -    | 0.41 | -    | nm      |
| Luminous intensity*       | $I_v$           | $I_F = 12V$  | 150  | 220  | -    | mcd     |
| 50% Power angle           | $2\theta_{1/2}$ | $I_F = 12V$  | -    | 90   | -    | deg     |

\*1 Tolerance of dominant wavelength is  $\pm 1nm$   
 \*2 Tolerance of luminous intensity is  $\pm 15\%$   
 \*3 Tolerance of measurements of forward voltage is  $\pm 0.1V$

## Outline dimensions:



## Directivity:

