

## Features:

- High luminosity LEDs
- 2.0mm tower standard directivity
- Long lifetime operation
- Superior weather-resistance
- TTL compatible (requires no external current limiter with 12 volt supply)
- UV resistant epoxy/water clear type
- Bi-colour AC LED

## Applications

- Toys
- Audio
- Games
- Other lighting

## Absolute maximum rating (Ta=25°C)

Item	Symbol	Value		Unit
		RED	White	
DC forward voltage	$V_F$	12	12	V
Reverse voltage	$V_R$	5	5	V
Power dissipation	$P_D$	120	120	mW
Operating temperature	$T_{opr}$	-30 to +85		°C
Storage temperature	$T_{stg}$	-40 to +100		°C
Lead soldering temperature	$T_{sol}$	260°C/5sec		-

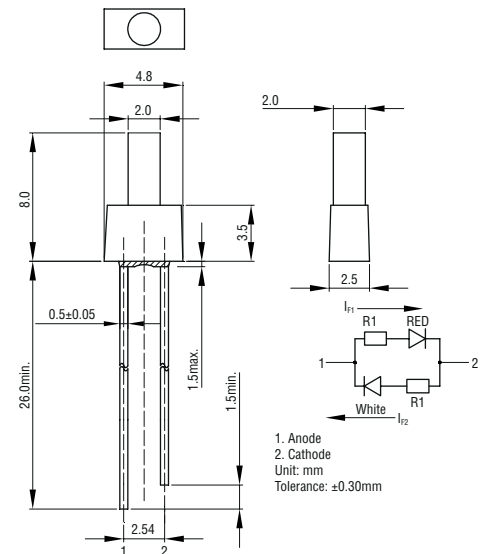
## Electrical - Optical characteristics (Ta=25°C)

Item	NO.	Symbol	Condition	Min.	Typ.	Max.	Unit
DC forward voltage	Red	$I_{F1}$	$V_{F1}=12V$	-	12	+	mA
	White	$I_{F2}$	$V_{F2}=12V$	-	10	+	mA
Domi. Wavelength*	Red	$\lambda_{D1}$	$V_{F1}=12V$	620	625	630	nm
	White	CCT	$V_{F2}=12V$	5000	6500	9000	K
Luminous intensity†	Red	$I_{V1}$	$V_{F1}=12V$	330	500	-	mcd
	White	$I_{V2}$	$V_{F2}=12V$	500	750	-	mcd
50% Power angle	Red	$2\theta_{1/2}$	$V_{F1}=12V$	-	90	-	deg
	White	$2\theta_{1/2}$	$V_{F2}=12V$	-	90	-	deg

\* Tolerance of dominant wavelength is  $\pm 1\text{nm}$   
 † Tolerance of luminous intensity is  $\pm 15\%$



## Outline dimensions:



## Directivity:

