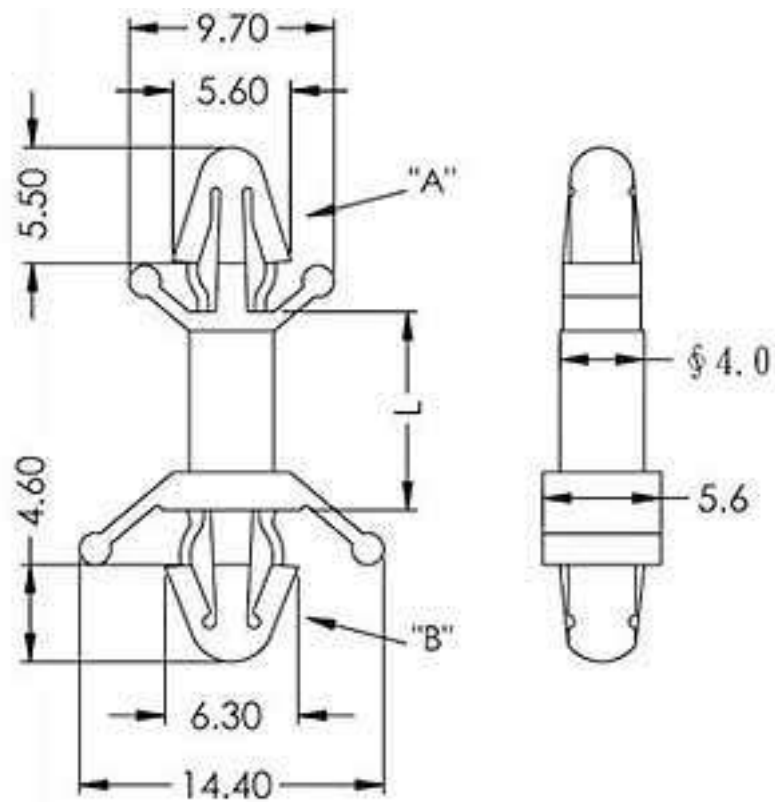


## Affix CBS Series Nylon Snap-Fit PCB Pillars



PCB hole "A" 4mm diameter

PCB thickness 0.8 to 2.0mm

Chassis hole "B" 4.8mm diameter

Chassis thickness 0.8 to 2.3mm

"L" = effective height