

## Specifications

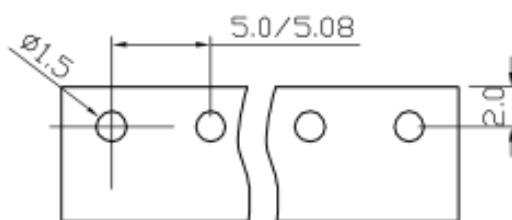
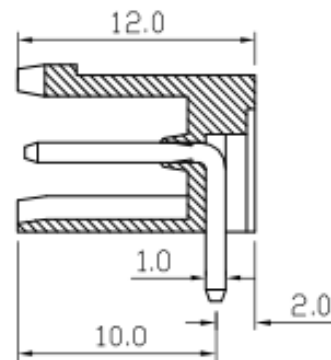
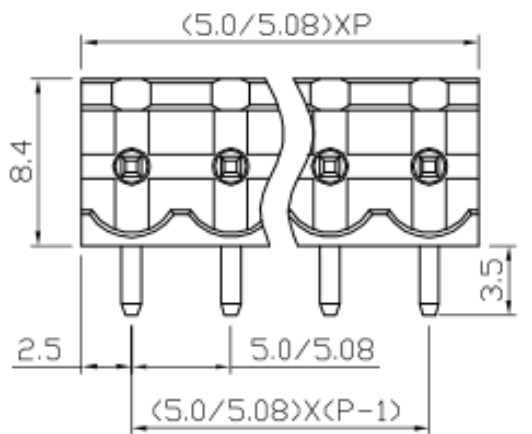
Pitch:	5.0mm
Type:	Horizontal, Open-ended
Poles:	2 to 12
Rated Voltage:	300V
Rated Current:	15A
Operational Temperature:	-40°C to +105°C
Withstand Voltage:	2500V AC for 60s
Insulation Resistance:	500MΩ at 500V DC
Wave Soldering:	260°C for 5s
Hand Soldering:	350°C for 10s



## Colour and Materials

Housing Colour:	Green
Housing Material:	PA66
Flame Retardancy:	UL94-V0
Pin Header:	Tin-plated brass

Order Code	Poles	Order Code	Poles
21-2808	2	21-2813	8
21-2809	3	21-2898	9
21-2810	4	21-2814	10
21-2811	5	21-2899	11
21-2812	6	21-2815	12
21-2897	7		



PCB

Measurements are in mm unless stated otherwise.

