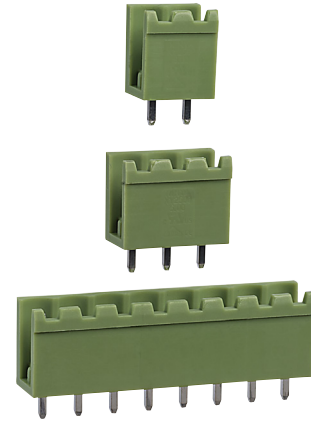


Specifications

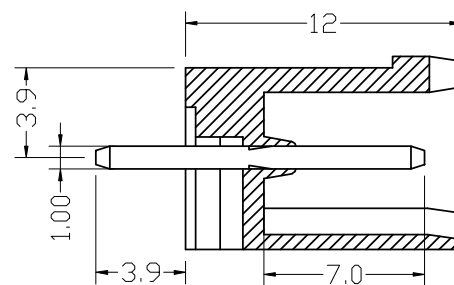
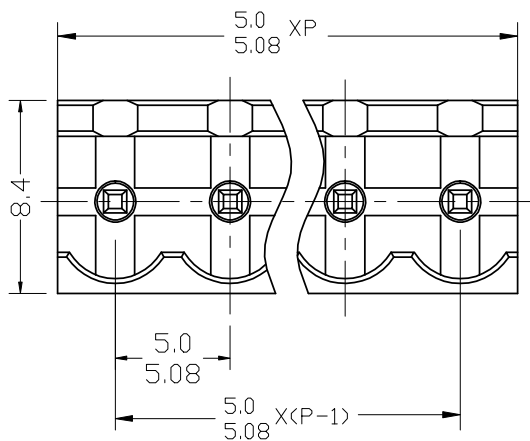
Pitch:	5.0mm
Type:	Vertical, Open-ended
Poles:	2 to 12
Rated Voltage:	300V
Rated Current:	15A
Operational Temperature:	-40°C to +105°C
Withstand Voltage:	2500V AC for 60s
Insulation Resistance:	500MΩ at 500V DC
Wave Soldering:	260°C for 5s
Hand Soldering:	350°C for 10s

Colour and Materials

Housing Colour:	Green
Housing Material:	PA66
Flame Retardancy:	UL94-V0
Pin Header:	Tin-plated brass



Order Code	Poles	Order Code	Poles
21-2816	2	21-2821	8
21-2817	3	21-2890	9
21-2818	4	21-2891	10
21-2819	5	21-2892	11
21-2820	6	21-2893	12
21-2889	7		



Measurements are in mm
unless stated otherwise.

