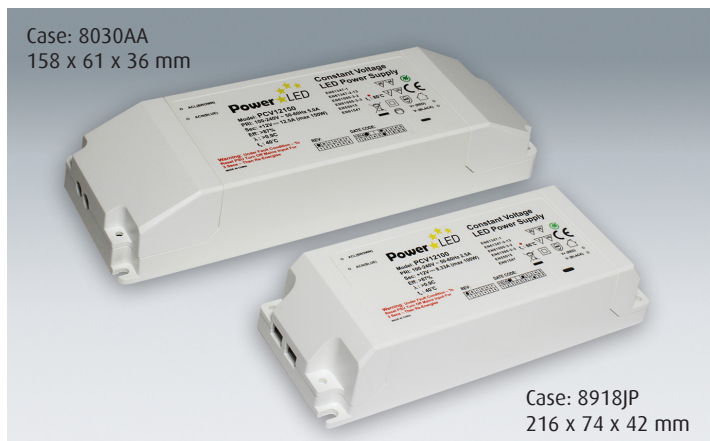


PCV60/100/150W Series

60W-150W Constant Voltage Power Supplies



Features

- Captive terminal screws for ease
- Snap lock cable strain relief
- LED Indicator for power on
- Low Inrush current
- Over load, short circuit and thermal protection
- Class II product
- Safe no load operation
- Suitable for indoor lighting applications
- Superior latch off protection
- Energy Efficient and Energy compliant
- Industry leading power factor levels



Specification

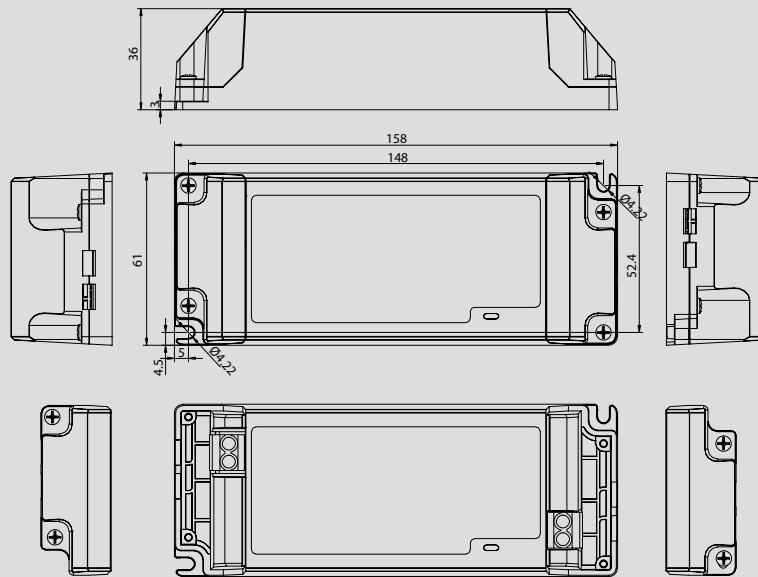
INPUT	Voltage	100V ~ 240VAC					
	Inrush Current	≤20A/230VAC, at cold start, maximum load.					
	Frequency	47 ~ 63 Hz					
	Power Factor	>0.95/90% load, 230VAC >0.91/50% load, 230VAC					
	Base Model No.	PCV1260-REVC	PCV2460-REVC	PCV12100-REVC	PCV24100-REVC	PCV12150-REVC	PCV24150-REVC
OUTPUT	Voltage	12V	24V	12V	24V	12V	24V
	Current	5A	2.5A	8.33A	4.16A	12.5A	6.25A
	Power	60W	60W	100W	100W	150W	150W
	R&N	240mV	360mV	240mV	360mV	240mV	360mV
	Line Regulation	±1.0%	±1.0%	±1.0%	±1.0%	±1.0%	±1.0%
	Load Regulation	±5% excursion from 50%~100% load and back to 50% load change of DC output at any frequency up to 1KHz (duty 50%)					
PROTECTION	Efficiency (TYP.)	>84% @ 90% load & 230VAC					
	Over Voltage	175%, output will shut down and latch off. Turn unit off/on to restart					
	Over Current	110~150%, output will shut down and latch off. Turn unit off/on to restart					
	Short Circuit	Should a short circuit occur the output will shut down and latch off. Turn unit off and on to restart					
	Over Temperature	Thermal, output will shut down and latch off. Turn unit off and on to restart					
ENVIRONMENT	Temperature	Operating: 0~+40°C; Storage: -20~+85°C					
SAFETY	Safety Standard	EN61347-2-13, EN61347-1, IEC61347-1, IEC61347-2-13 Approved					
EMC	EMI Standard	Meets Emissions to EN55015, EN61547, EN61000-3-2, EN61000-3-3					
OTHERS	Lifetime	30K hrs full load 25°C					
	Case	8030A				8918JP	

PCV60/100/150W Series

60W-150W Constant Voltage Power Supplies



PCV60~PCV100 Mechanical



PCV150 Mechanical

