

# IP68 cable joining connectors

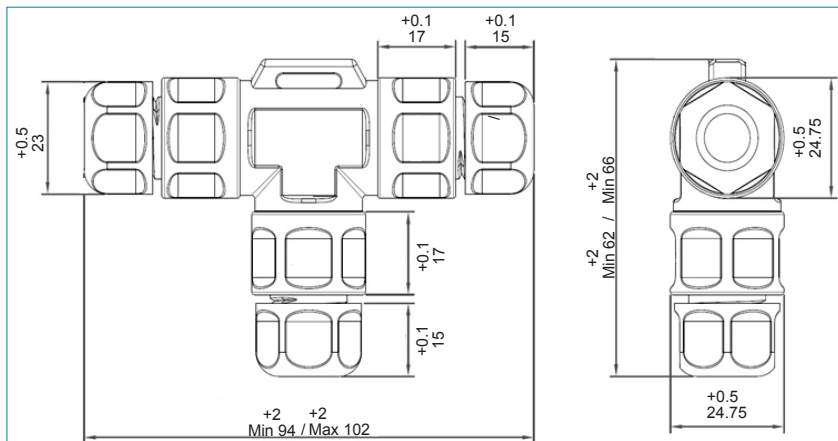
## Product overview

- Integrated terminal designs means no small parts to drop
- One piece construction removes possibility of mis-assembly
- Heavy duty, robust and strong
- Compact, therefore more options to accommodate during installation
- Colour coded screws/terminals make installation easier
- Brail points to allow installation in low light conditions
- EN-61984
- CE approved

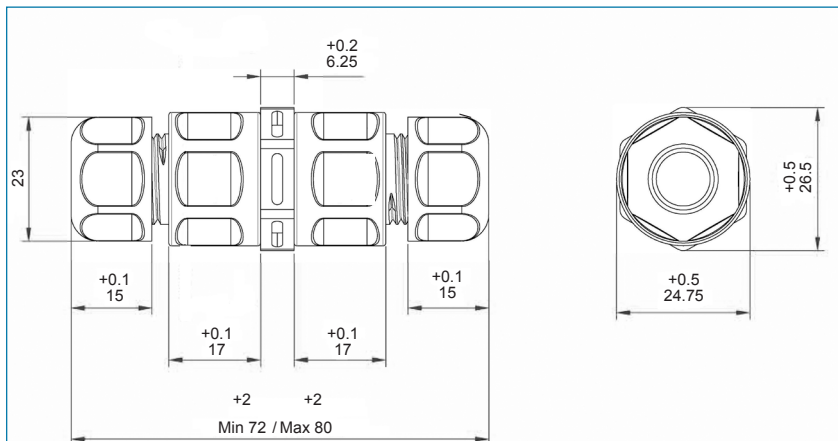


SPECIFICATION	
Voltage rating	250V
Current rating	16A
Min wire size OD	5.5mm
Max wire size OD	8.5mm
Contact resistance	10mΩ
Insulation structure	500 mΩ at 500VDC
Temperature rating	-40°C - +105°C
IP rating	IP68
Mould material	PA6
Contact/terminal material	Nickel-plate brass
Seal material	Silicone

PART NO.	DESCRIPTION
CPWP3T	Waterproof field assembly "T" connector



PART NO.	DESCRIPTION
CPWP3I	Waterproof field assembly connector



## KEY FEATURES

Integrated terminals | One piece construction | Colour coded screws/terminals