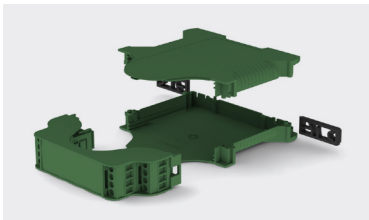
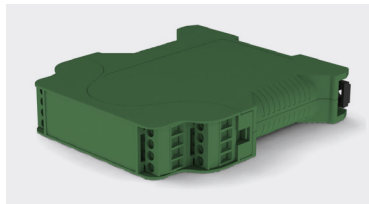
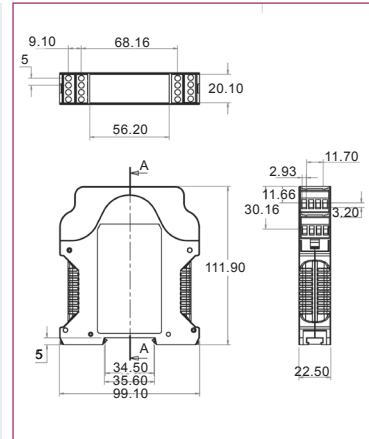
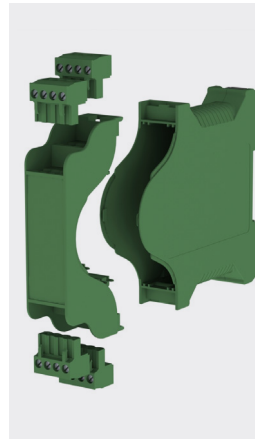
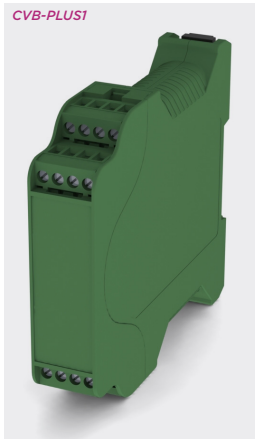


Vertical DIN Rail enclosures: CVB-PLUS1

Product overview

- 22.5mm wide vertical DIN Rail mount housing
- Clip together design for fast assembly
- Supplied with four 4-pole 5mm pitch pluggable terminal blocks
- 16 positions
- Moulded in UL94-V0, PA66
- Front and side label recesses
- Solid and vented versions available
- Top hat 35mm DIN Rail or surface mounting



SPECIFICATION	
Rating terminals	15A 300V
Contact resistance	20mΩ
Insulation resistance	500mΩ/DC500V
Withstand voltage	AC2000V/1min
Materials	Pin head: Brass, tin plated Housing: PA66, UL94-V0
Terminal block	See page 403 for terminal block specification

PART NO.	DESCRIPTION	LENGTH	WIDTH	HEIGHT
CVB-PLUS1	Solid sides	112mm	22.5mm	99mm
CVB-PLUSIV	Vented sides	112mm	22.5mm	99mm

KEY FEATURES

Clip together | 16 positions | 22.5mm width module

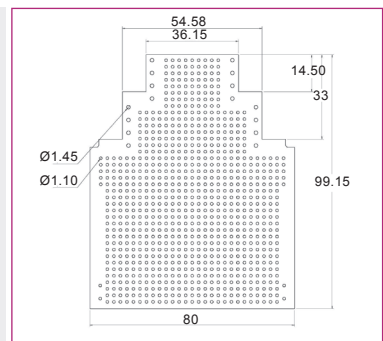
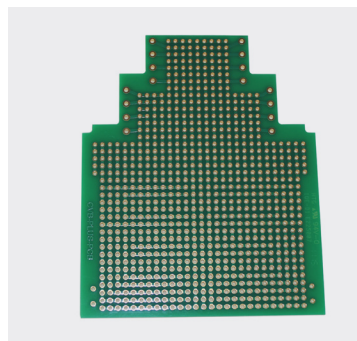


ACCESSORIES

CVB-plus pcb

- Material: 2-layer FR4
- X826 1.3mm diameter holes
- X16 1.5mm diameter holes (reserved for terminal blocks)

PART NO.	DESCRIPTION	LENGTH	WIDTH	HEIGHT
CVB-PLUS-PCB	PCB	80mm	99.2mm	1.6mm



CVB-plus metal earth clip

- Replaces one of the black DIN clips to offer earthing from PCB to DIN Rail.

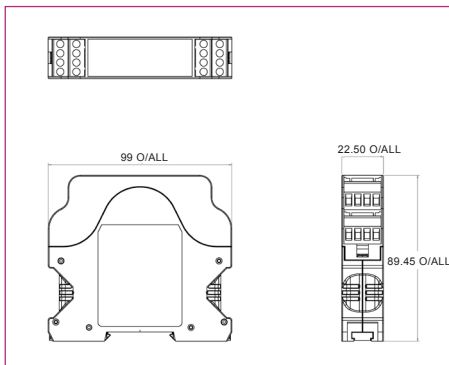
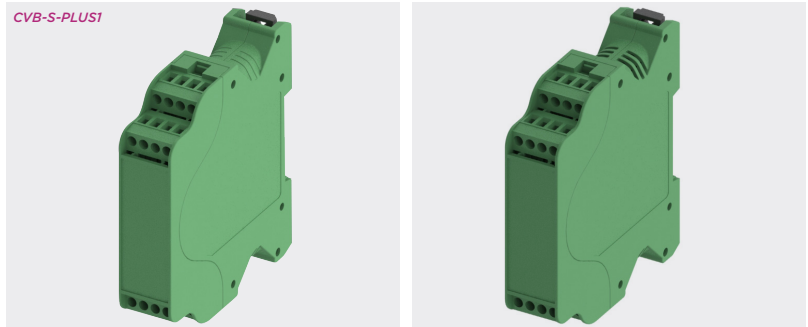


PART NO.	DESCRIPTION
CVB-PLUS-MC	Metal earth clip

Vertical DIN Rail enclosures: CVB-S-PLUS1

Product overview

- 22.5mm wide vertical DIN Rail mount housing
- Clip together design for fast assembly
- Supplied with four 4-pole 5mm pitch pluggable block set (see page 403)
- 16 positions
- Moulded in UL94-V0, PA66
- Front and side label recesses
- Solid and vented versions available
- Top hat 35mm DIN Rail or surface mounting
- Low profile version



SPECIFICATION	
Rating terminals	15A 300V
Contact resistance	20mΩ
Insulation resistance	500mΩ/DC500V
Withstand voltage	AC2000V/1min
Materials	Pin header Housing Brass, tin plated PA66, UL94-V0
Terminal block	See page 403 for terminal block specification

SPECIFICATION	DESCRIPTION	LENGTH	WIDTH	HEIGHT
CVB-S-PLUS1	Solid sides	89.45mm	99mm	22.5mm
CVB-S-PLUSIV	Vented sides	89.45mm	99mm	22.5mm

KEY FEATURES

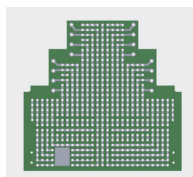
Clip together design | 16 positions | Low profile



ACCESSORIES

CVB-S-PLUS-PCB

- Material 2-layer FR4



PART NO.	LENGTH	WIDTH	HEIGHT
CVB-S-PLUS-PCB	76.29mm	80mm	1.6mm

CVB-S-PLUS metal earth clip

- Replaces one of the black DIN clips to offer earthing from PCB to DIN Rail.

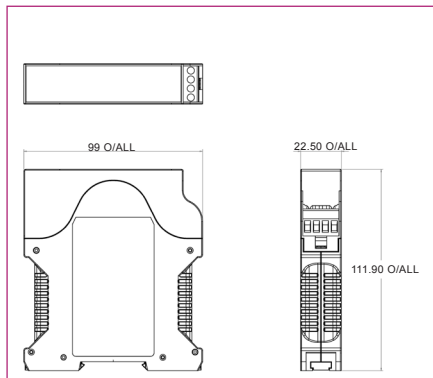
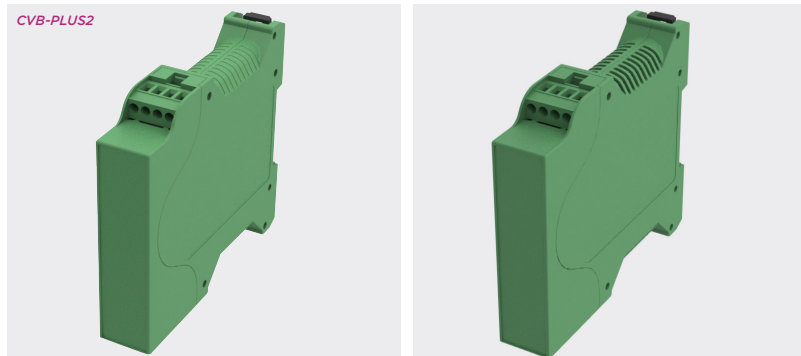


PART NO.	DESCRIPTION
CVB-PLUS-MC	Metal earth clip

Vertical DIN Rail enclosures: CVB-PLUS2

Product overview

- 22.5mm wide vertical DIN Rail mount housing
- Clip together design for fast assembly
- Supplied with one 4-pole 5mm pitch pluggable terminal block set offering four positions (see page 403)
- Moulded in UL94-V0, PA66
- Front and side label recesses
- Solid and vented versions available
- Top hat 35mm DIN Rail or surface mounting
- Open on one side



SPECIFICATION	
Rating terminals	15A 300V
Contact resistance	20mΩ
Insulation resistance	500mΩ/DC500V
Withstand voltage	AC2000V/1min
Materials	Pin header: Brass, tin plated Housing: PA66, UL94-V0
Terminal block	See page 403 for terminal block specification

PART NO.	DESCRIPTION	LENGTH	WIDTH	HEIGHT
CVB-PLUS2	Solid sides	112mm	99mm	22.5mm
CVB-PLUS2V	Vented sides	112mm	99mm	22.5mm

KEY FEATURES

UL94-V0 | Front and side label recesses | Open on one side



ACCESSORIES

CVB-S-PLUS metal earth clip

- Replaces one of the black DIN clips to offer earthing from PCB to DIN Rail.

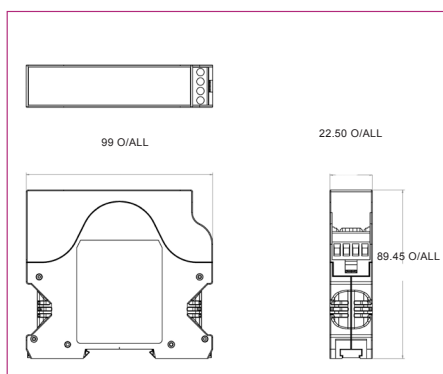
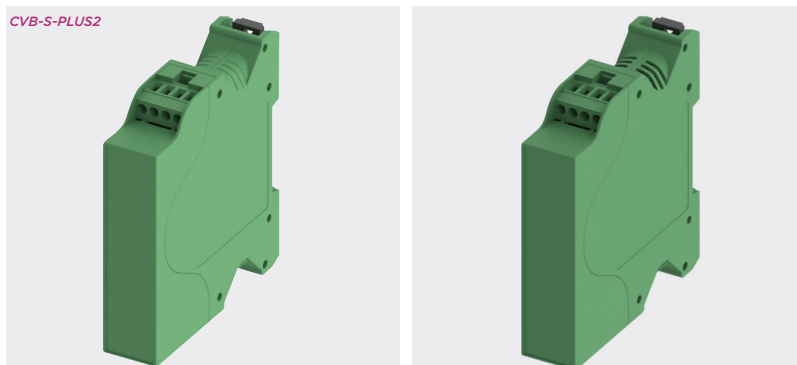


PART NO.	DESCRIPTION
CVB-PLUS-MC	Metal earth clip

Vertical DIN Rail enclosures: CVB-S-PLUS2

Product overview

- 22.5mm wide vertical DIN Rail mount housing
- Clip together design for fast assembly
- Supplied with one 4-pole 5mm pitch pluggable terminal block set offering four positions (see page 403)
- Moulded in UL94-V0, PA66
- Front and side label recesses
- Solid and vented versions available
- Top hat 35mm DIN Rail or surface mounting
- Low profile version
- Open on one side



SPECIFICATION	
Rating terminals	15A 300V
Contact resistance	20mΩ
Insulation resistance	500mΩ/DC500V
Withstand voltage	AC2000V/1min
Materials	Pin header: Brass, tin plated Housing: PA66, UL94-V0
Terminal block	See page 403 for terminal block specification

PART NO.	DESCRIPTION	LENGTH	WIDTH	HEIGHT
CVB-S-PLUS2	Solid sides	89.45mm	99mm	22.5mm
CVB-S-PLUS2V	Vented sides	89.45mm	99mm	22.5mm

ACCESSORIES

CVB-S-PLUS metal earth clip

- Replaces one of the black DIN clips to offer earthing from PCB to DIN Rail.



PART NO.	DESCRIPTION
CVB-PLUS-MC	Metal earth clip

KEY FEATURES

Clip together design | Low profile version | Open one side

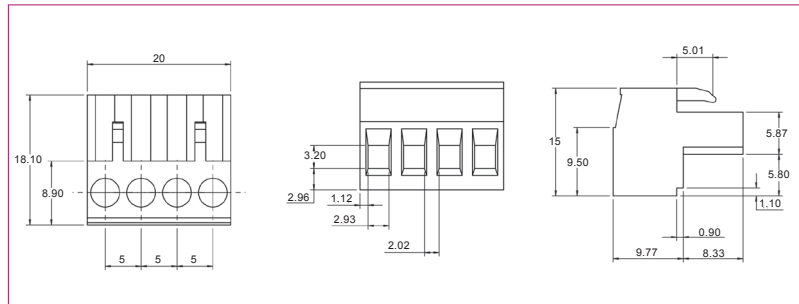


Vertical DIN Rail enclosures: Terminal blocks (included with CVB-Plus as standard)

PART NO.	DESCRIPTION
CVBP9200	Female terminal block
CVBP935L	Male left side terminal block
CVBP935R	Male right side terminal block

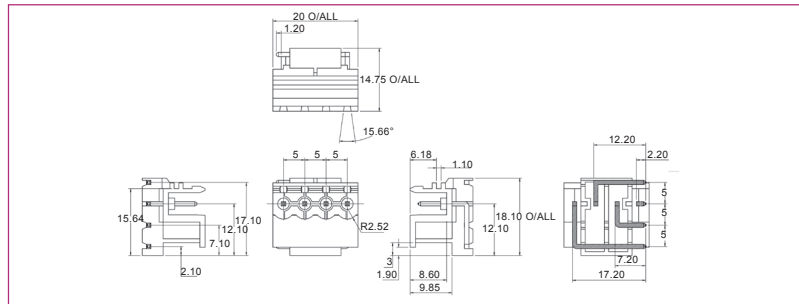
SPECIFICATION	
Rating terminals	15A 300V
Contact resistance	20mΩ
Insulation resistance	500mΩ/DC500V
Withstand voltage	AC2000V/1min
Materials	Pin header: Brass, tin plated Housing: PA66, UL94-V0
Wire range	1.5mm ² (28-14AWG) solid and stranded cable
Approvals	UL and VDE

CVBP9200



For exact product information see page.62

CVBP935L



CVBP935R

