



5.08mm pitch high power 90° rising clamp terminal blocks

Product overview

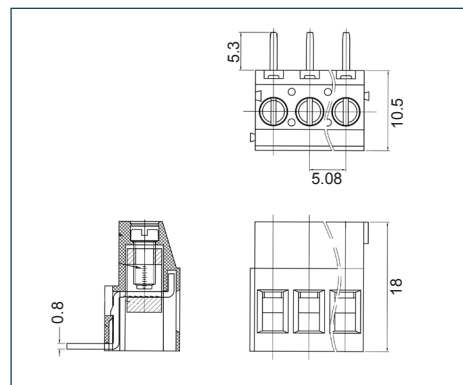
- 2 and 3 pole double interlocking mechanism for increased strength
- Professional rising clamp terminals
- High profile 90° mounting
- Moulded in green UL94-V0 flame retardant PA66
- Cable acceptance - 0.4-2mm² (26-12AWG)
- 20A 300V
- Guided pin alignment
-   approved

CTBP0758



SPECIFICATION	
Rating	UL=20A/300V, VDE=20A/250V
Insulation resistance	500M Ω/500V
Withstand voltage	AC2000V/1min
Contact resistance	20mΩ (max)
Working temperature	-40°C to +105°C
Moulding	UL94-V0 flame retardant PA66
Pin/terminal	Tin plated brass
Rising clamp	Brass, nickel plated
Screw/torque	M3 steel, zinc plated 0.5Nm
Recommended PCB hole size	ø1.6mm

PART NO.	POLES	LENGTH
CTBP0758/2	2	10.16mm
CTBP0758/3	3	15.24mm
CTBP0758/4	4	20.32mm
CTBP0758/5	5	25.4mm
CTBP0758/6	6	30.48mm
CTBP0758/7	7	35.56mm
CTBP0758/8	8	40.64mm
CTBP0758/9	9	45.72mm
CTBP0758/10	10	50.8mm
CTBP0758/11	11	55.88mm
CTBP0758/12	12	60.96mm



KEY FEATURES

High powered 20A | Double interlock mechanism | Professional rising clamp

