



# 3.5mm pitch pluggable rising clamp terminal blocks

## Product overview

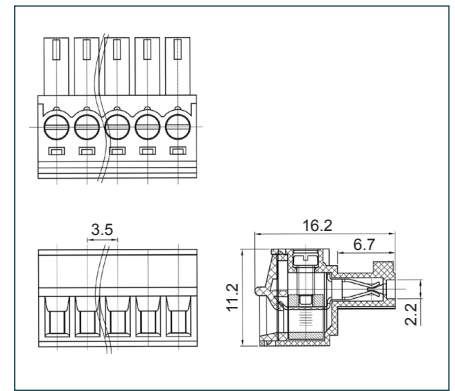
- 2-12 pole solid block professional rising clamp terminals
- Moulded in green UL94-V0 flame retardant PA66
- Cable acceptance - 0.32 to 1.3mm<sup>2</sup> (28-16AWG) solid and stranded cable
- Polarised mouldings
- Pluggable male and female connectors
- Closed headers
- Horizontal and vertical female plug styles
- Anti solder wicking
- Captive screws
- Guided pin alignment
- approved

SPECIFICATION	
Rating	UL=8A/300V, VDE=10A/250V
Insulation resistance	500M $\Omega$ /500V
Withstand voltage	AC2000V/1min
Contact resistance	20m $\Omega$ (max)
Working temperature	-40°C to +105°C
Moulding	UL94-V0 flame retardant PA66
Pin/terminal	Tin plated brass
Rising clamp	Brass, nickel plated
Screw/torque	M2 steel, zinc plated 0.2Nm
Recommended PCB hole size	$\phi$ 1.4mm

## Female connector

PART NO.	POLES	LENGTH
CTBP92HD/2	2	7.8mm
CTBP92HD/3	3	11.3mm
CTBP92HD/4	4	14.8mm
CTBP92HD/5	5	18.3mm
CTBP92HD/6	6	21.8mm
CTBP92HD/7	7	25.3mm
CTBP92HD/8	8	28.8mm
CTBP92HD/9	9	32.3mm
CTBP92HD/10	10	35.8mm
CTBP92HD/11	11	39.3mm
CTBP92HD/12	12	42.8mm

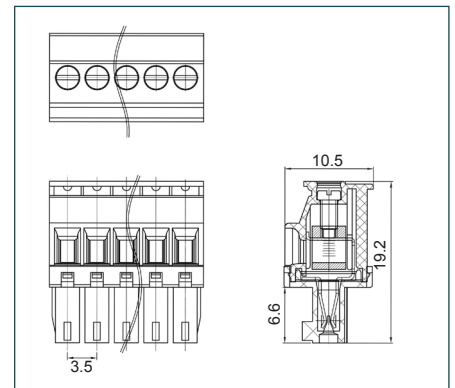
CTBP92HD



## Female vertical connector (standard)

PART NO.	POLES	LENGTH
CTBP92VD/2S	2	7.8mm
CTBP92VD/3S	3	11.3mm
CTBP92VD/4S	4	14.8mm
CTBP92VD/5S	5	18.3mm
CTBP92VD/6S	6	21.8mm
CTBP92VD/7S	7	25.3mm
CTBP92VD/8S	8	28.8mm
CTBP92VD/9S	9	32.3mm
CTBP92VD/10S	10	35.8mm
CTBP92VD/11S	11	39.3mm
CTBP92VD/12S	12	42.8mm

CTBP92VD S



## Female vertical connector (reversed)

PART NO.	POLES	LENGTH
CTBP92VD/2R	2	7.8mm
CTBP92VD/3R	3	11.3mm
CTBP92VD/4R	4	14.8mm
CTBP92VD/5R	5	18.3mm
CTBP92VD/6R	6	21.8mm
CTBP92VD/7R	7	25.3mm
CTBP92VD/8R	8	28.8mm
CTBP92VD/9R	9	32.3mm
CTBP92VD/10R	10	35.8mm
CTBP92VD/11R	11	39.3mm
CTBP92VD/12R	12	42.8mm

CTBP92VD R

