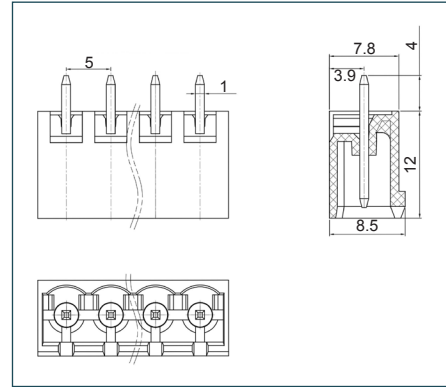
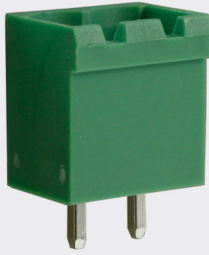


PCB mounting male vertical connector (closed ended)

| PART NO. | POLES | LENGTH |
|-------------|-------|--------|
| CTBP9300/2 | 2 | 11.4mm |
| CTBP9300/3 | 3 | 16.4mm |
| CTBP9300/4 | 4 | 21.4mm |
| CTBP9300/5 | 5 | 26.4mm |
| CTBP9300/6 | 6 | 31.4mm |
| CTBP9300/7 | 7 | 36.4mm |
| CTBP9300/8 | 8 | 41.4mm |
| CTBP9300/9 | 9 | 46.4mm |
| CTBP9300/10 | 10 | 51.4mm |
| CTBP9300/11 | 11 | 56.4mm |
| CTBP9300/12 | 12 | 61.4mm |

CTBP9300



081

TERMINAL STRIPS

095

WIRE TO BOARD
CONNECTORS

100

CIRCULAR
CONNECTORS

151

IP68 CONNECTORS

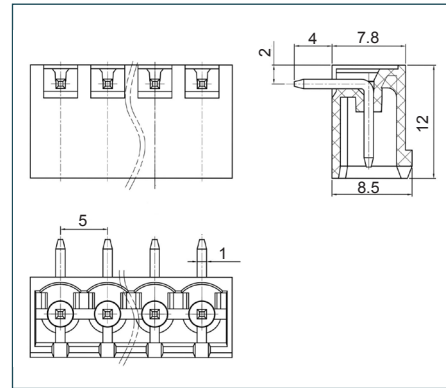
158

INTERFACE
MODULES AND
RELAY BASES

PCB mounting male horizontal connector (closed ended)

| PART NO. | POLES | LENGTH |
|-------------|-------|--------|
| CTBP9350/2 | 2 | 11.4mm |
| CTBP9350/3 | 3 | 16.4mm |
| CTBP9350/4 | 4 | 21.4mm |
| CTBP9350/5 | 5 | 26.4mm |
| CTBP9350/6 | 6 | 31.4mm |
| CTBP9350/7 | 7 | 36.4mm |
| CTBP9350/8 | 8 | 41.4mm |
| CTBP9350/9 | 9 | 46.4mm |
| CTBP9350/10 | 10 | 51.4mm |
| CTBP9350/11 | 11 | 56.4mm |
| CTBP9350/12 | 12 | 61.4mm |

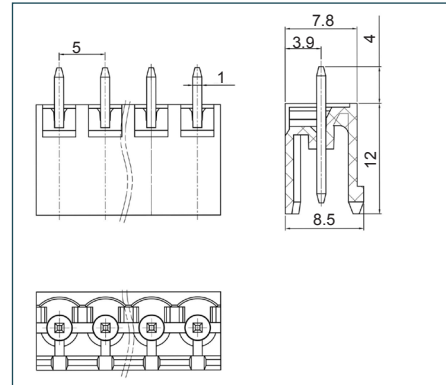
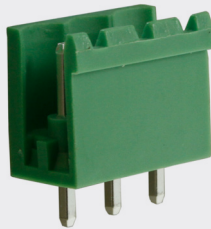
CTBP9350



PCB mounting male vertical connector (open ended)

| PART NO. | POLES | LENGTH |
|---------------|-------|--------|
| CTBP9300/2AO | 2 | 10mm |
| CTBP9300/3AO | 3 | 15mm |
| CTBP9300/4AO | 4 | 20mm |
| CTBP9300/5AO | 5 | 25mm |
| CTBP9300/6AO | 6 | 30mm |
| CTBP9300/7AO | 7 | 35mm |
| CTBP9300/8AO | 8 | 40mm |
| CTBP9300/9AO | 9 | 45mm |
| CTBP9300/10AO | 10 | 50mm |
| CTBP9300/11AO | 11 | 55mm |
| CTBP9300/12AO | 12 | 60mm |

CTBP9300 AO



PCB mounting male horizontal connector (open ended)

| PART NO. | POLES | LENGTH |
|---------------|-------|--------|
| CTBP9350/2AO | 2 | 10mm |
| CTBP9350/3AO | 3 | 15mm |
| CTBP9350/4AO | 4 | 20mm |
| CTBP9350/5AO | 5 | 25mm |
| CTBP9350/6AO | 6 | 30mm |
| CTBP9350/7AO | 7 | 35mm |
| CTBP9350/8AO | 8 | 40mm |
| CTBP9350/9AO | 9 | 45mm |
| CTBP9350/10AO | 10 | 50mm |
| CTBP9350/11AO | 11 | 55mm |
| CTBP9350/12AO | 12 | 60mm |

CTBP9350 AO

