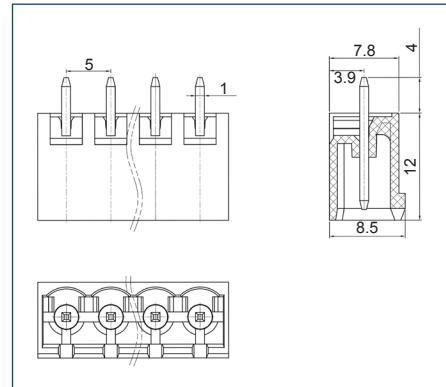


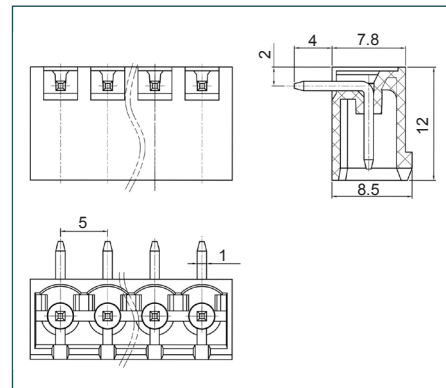
PCB mounting male vertical connector (closed ended)

PART NO.	POLES	LENGTH
CTBP9300/2	2	11.4mm
CTBP9300/3	3	16.4mm
CTBP9300/4	4	21.4mm
CTBP9300/5	5	26.4mm
CTBP9300/6	6	31.4mm
CTBP9300/7	7	36.4mm
CTBP9300/8	8	41.4mm
CTBP9300/9	9	46.4mm
CTBP9300/10	10	51.4mm
CTBP9300/11	11	56.4mm
CTBP9300/12	12	61.4mm



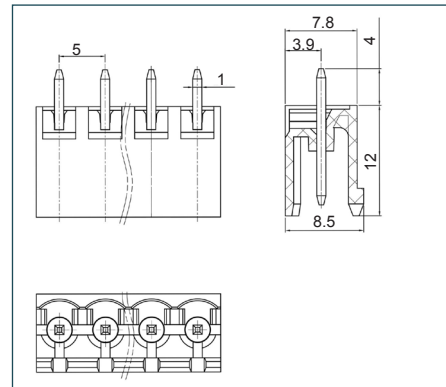
PCB mounting male horizontal connector (closed ended)

PART NO.	POLES	LENGTH
CTBP9350/2	2	11.4mm
CTBP9350/3	3	16.4mm
CTBP9350/4	4	21.4mm
CTBP9350/5	5	26.4mm
CTBP9350/6	6	31.4mm
CTBP9350/7	7	36.4mm
CTBP9350/8	8	41.4mm
CTBP9350/9	9	46.4mm
CTBP9350/10	10	51.4mm
CTBP9350/11	11	56.4mm
CTBP9350/12	12	61.4mm



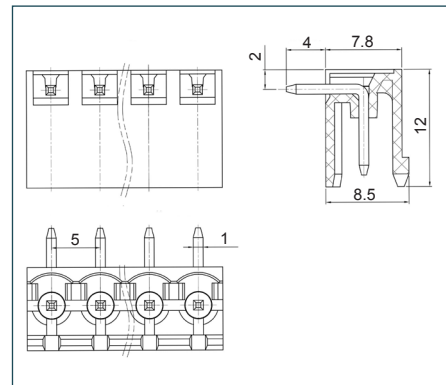
PCB mounting male vertical connector (open ended)

PART NO.	POLES	LENGTH
CTBP9300/2AO	2	10mm
CTBP9300/3AO	3	15mm
CTBP9300/4AO	4	20mm
CTBP9300/5AO	5	25mm
CTBP9300/6AO	6	30mm
CTBP9300/7AO	7	35mm
CTBP9300/8AO	8	40mm
CTBP9300/9AO	9	45mm
CTBP9300/10AO	10	50mm
CTBP9300/11AO	11	55mm
CTBP9300/12AO	12	60mm



PCB mounting male horizontal connector (open ended)

PART NO.	POLES	LENGTH
CTBP9350/2AO	2	10mm
CTBP9350/3AO	3	15mm
CTBP9350/4AO	4	20mm
CTBP9350/5AO	5	25mm
CTBP9350/6AO	6	30mm
CTBP9350/7AO	7	35mm
CTBP9350/8AO	8	40mm
CTBP9350/9AO	9	45mm
CTBP9350/10AO	10	50mm
CTBP9350/11AO	11	55mm
CTBP9350/12AO	12	60mm



081

TERMINAL STRIPS

095

WIRE TO BOARD CONNECTORS

100

CIRCULAR CONNECTORS

151

IP68 CONNECTORS

158

INTERFACE MODULES AND RELAY BASES

CONNECT