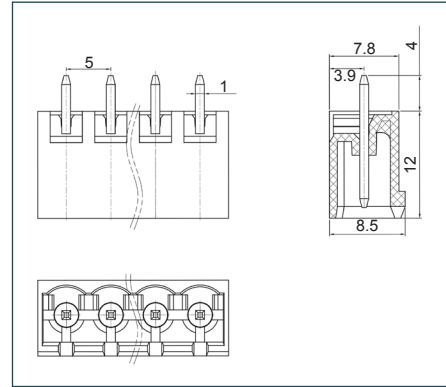
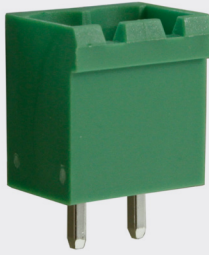


## PCB mounting male vertical connector (closed ended)

| PART NO.    | POLES | LENGTH |
|-------------|-------|--------|
| CTBP9300/2  | 2     | 11.4mm |
| CTBP9300/3  | 3     | 16.4mm |
| CTBP9300/4  | 4     | 21.4mm |
| CTBP9300/5  | 5     | 26.4mm |
| CTBP9300/6  | 6     | 31.4mm |
| CTBP9300/7  | 7     | 36.4mm |
| CTBP9300/8  | 8     | 41.4mm |
| CTBP9300/9  | 9     | 46.4mm |
| CTBP9300/10 | 10    | 51.4mm |
| CTBP9300/11 | 11    | 56.4mm |
| CTBP9300/12 | 12    | 61.4mm |

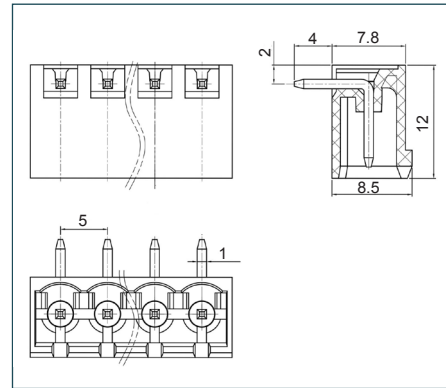
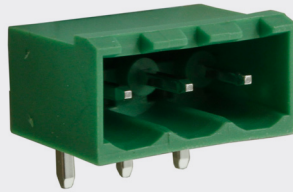
CTBP9300



## PCB mounting male horizontal connector (closed ended)

| PART NO.    | POLES | LENGTH |
|-------------|-------|--------|
| CTBP9350/2  | 2     | 11.4mm |
| CTBP9350/3  | 3     | 16.4mm |
| CTBP9350/4  | 4     | 21.4mm |
| CTBP9350/5  | 5     | 26.4mm |
| CTBP9350/6  | 6     | 31.4mm |
| CTBP9350/7  | 7     | 36.4mm |
| CTBP9350/8  | 8     | 41.4mm |
| CTBP9350/9  | 9     | 46.4mm |
| CTBP9350/10 | 10    | 51.4mm |
| CTBP9350/11 | 11    | 56.4mm |
| CTBP9350/12 | 12    | 61.4mm |

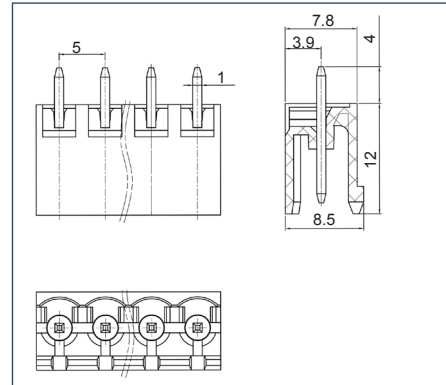
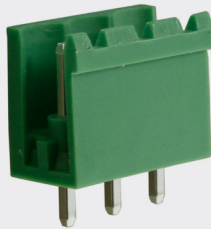
CTBP9350



## PCB mounting male vertical connector (open ended)

| PART NO.      | POLES | LENGTH |
|---------------|-------|--------|
| CTBP9300/2AO  | 2     | 10mm   |
| CTBP9300/3AO  | 3     | 15mm   |
| CTBP9300/4AO  | 4     | 20mm   |
| CTBP9300/5AO  | 5     | 25mm   |
| CTBP9300/6AO  | 6     | 30mm   |
| CTBP9300/7AO  | 7     | 35mm   |
| CTBP9300/8AO  | 8     | 40mm   |
| CTBP9300/9AO  | 9     | 45mm   |
| CTBP9300/10AO | 10    | 50mm   |
| CTBP9300/11AO | 11    | 55mm   |
| CTBP9300/12AO | 12    | 60mm   |

CTBP9300 AO



## PCB mounting male horizontal connector (open ended)

| PART NO.      | POLES | LENGTH |
|---------------|-------|--------|
| CTBP9350/2AO  | 2     | 10mm   |
| CTBP9350/3AO  | 3     | 15mm   |
| CTBP9350/4AO  | 4     | 20mm   |
| CTBP9350/5AO  | 5     | 25mm   |
| CTBP9350/6AO  | 6     | 30mm   |
| CTBP9350/7AO  | 7     | 35mm   |
| CTBP9350/8AO  | 8     | 40mm   |
| CTBP9350/9AO  | 9     | 45mm   |
| CTBP9350/10AO | 10    | 50mm   |
| CTBP9350/11AO | 11    | 55mm   |
| CTBP9350/12AO | 12    | 60mm   |

CTBP9350 AO

