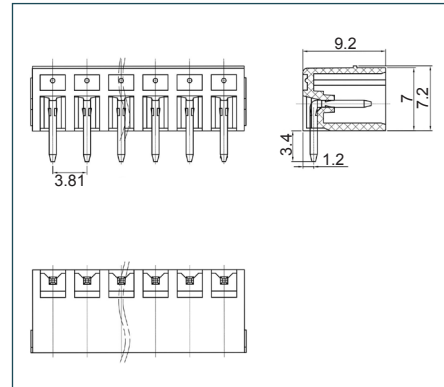




PCB mounting male horizontal connector (closed ended)

| PART NO. | POLES | LENGTH |
|-------------|-------|--------|
| CTBP93HE/2 | 2 | 8.4mm |
| CTBP93HE/3 | 3 | 12.2mm |
| CTBP93HE/4 | 4 | 16.0mm |
| CTBP93HE/5 | 5 | 19.8mm |
| CTBP93HE/6 | 6 | 23.7mm |
| CTBP93HE/7 | 7 | 27.5mm |
| CTBP93HE/8 | 8 | 31.3mm |
| CTBP93HE/9 | 9 | 35.1mm |
| CTBP93HE/10 | 10 | 38.9mm |
| CTBP93HE/11 | 11 | 42.7mm |
| CTBP93HE/12 | 12 | 46.5mm |

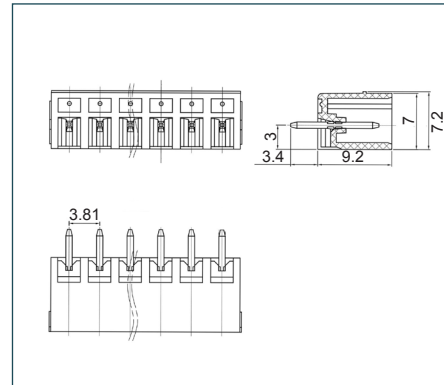
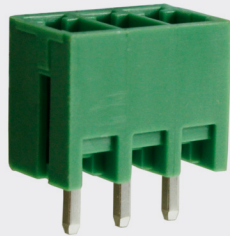
CTBP93HE



PCB mounting male vertical connector (closed ended)

| PART NO. | POLES | LENGTH |
|-------------|-------|--------|
| CTBP93VE/2 | 2 | 8.4mm |
| CTBP93VE/3 | 3 | 12.2mm |
| CTBP93VE/4 | 4 | 16.0mm |
| CTBP93VE/5 | 5 | 19.8mm |
| CTBP93VE/6 | 6 | 23.7mm |
| CTBP93VE/7 | 7 | 27.5mm |
| CTBP93VE/8 | 8 | 31.3mm |
| CTBP93VE/9 | 9 | 35.1mm |
| CTBP93VE/10 | 10 | 38.9mm |
| CTBP93VE/11 | 11 | 42.7mm |
| CTBP93VE/12 | 12 | 46.5mm |

CTBP93VE



ASSOCIATED PRODUCTS

CTB92HE, CTB92VE S and CTBP92VE R can be replaced with a screwless type terminal block for a reduced assembly time.

CSTBP92HE - page 78