

002
PCB TERMINAL
BLOCKS081
TERMINAL STRIPS095
WIRE TO BOARD
CONNECTORS100
CIRCULAR
CONNECTORS151
IP68 CONNECTORS158
INTERFACE
MODULES AND
RELAY BASES

7.5mm pitch pluggable rising clamp terminal blocks

Product overview

- 2-12 pole solid block
- Professional rising clamp terminals
- Moulded in green UL94-V0 flame retardant PA66
- Cable acceptance - 0.32 to 1.6mm² (28-14AWG) solid and stranded cable
- Pluggable male and female connectors
- Open and closed headers
- Horizontal female plug style
- Polarised mouldings
- Anti solder wicking
- Captive screws and guided pin alignment
- approved

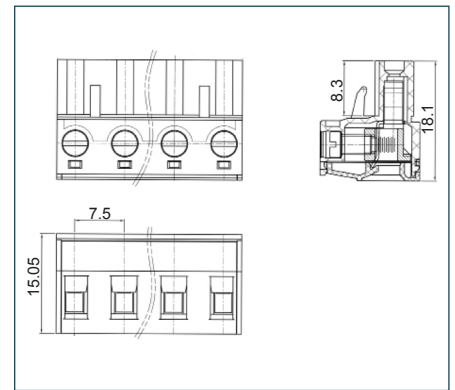
SPECIFICATION

Rating	UL=15A/300V, VDE=20A/450V
Insulation resistance	500M Ω /500V
Withstand voltage	AC2000V/1min
Contact resistance	20m Ω (max)
Working temperature	-40°C to +105°C
Moulding	UL94-V0 flame retardant PA66
Pin/terminal	Tin plated brass
Rising clamp	Brass, nickel plated
Screw/torque	M3 steel, zinc plated 0.5Nm
Recommended PCB hole size	ϕ 1.7mm

Female connector

PART NO.	POLES	LENGTH
CTBP9400/2	2	13mm
CTBP9400/3	3	20.5mm
CTBP9400/4	4	28mm
CTBP9400/5	5	35.5mm
CTBP9400/6	6	43mm
CTBP9400/7	7	50.5mm
CTBP9400/8	8	58mm
CTBP9400/9	9	65.5mm
CTBP9400/10	10	73mm
CTBP9400/11	11	80.5mm
CTBP9400/12	12	88mm

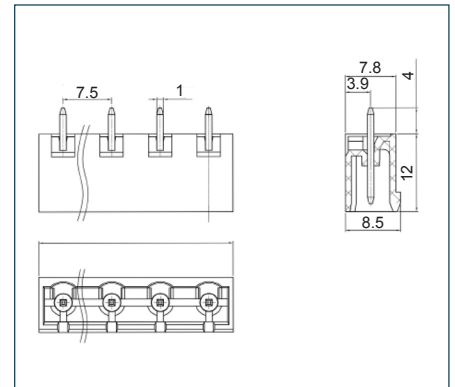
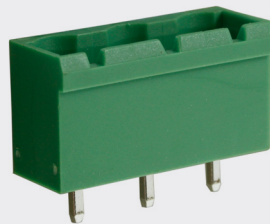
CTBP9400



PCB mounting male vertical connector (closed ended)

PART NO.	POLES	LENGTH
CTBP9500/2	2	15mm
CTBP9500/3	3	22.5mm
CTBP9500/4	4	30mm
CTBP9500/5	5	37.5mm
CTBP9500/6	6	45mm
CTBP9500/7	7	52.5mm
CTBP9500/8	8	60mm
CTBP9500/9	9	67.5mm
CTBP9500/10	10	75mm
CTBP9500/11	11	82.5mm
CTBP9500/12	12	90mm

CTBP9500



PCB mounting male horizontal connector (closed ended)

PART NO.	POLES	LENGTH
CTBP9550/2	2	15mm
CTBP9550/3	3	22.5mm
CTBP9550/4	4	30mm
CTBP9550/5	5	37.5mm
CTBP9550/6	6	45mm
CTBP9550/7	7	52.5mm
CTBP9550/8	8	60mm
CTBP9550/9	9	67.5mm
CTBP9550/10	10	75mm
CTBP9550/11	11	82.5mm
CTBP9550/12	12	90mm

CTBP9550

