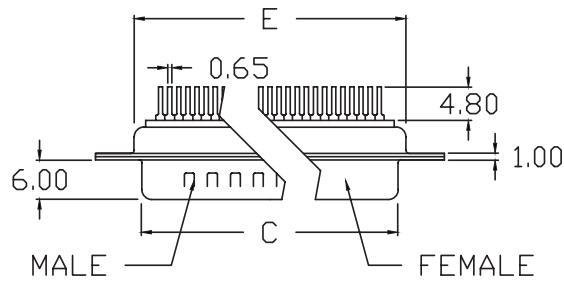


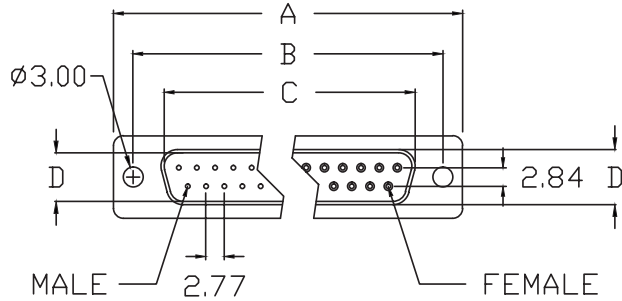
Order code: **15-0550** 9-way PCB Mount Plug

Order code: **15-0575** 9-way PCB Mount Socket

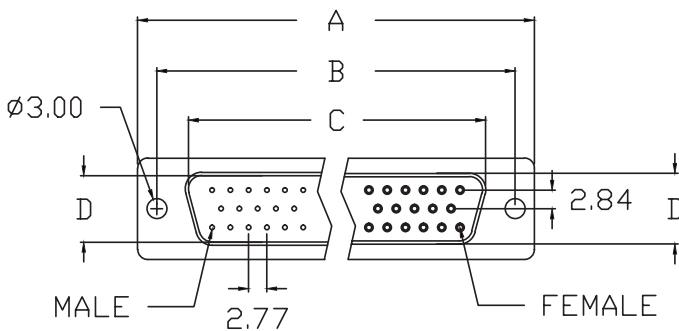
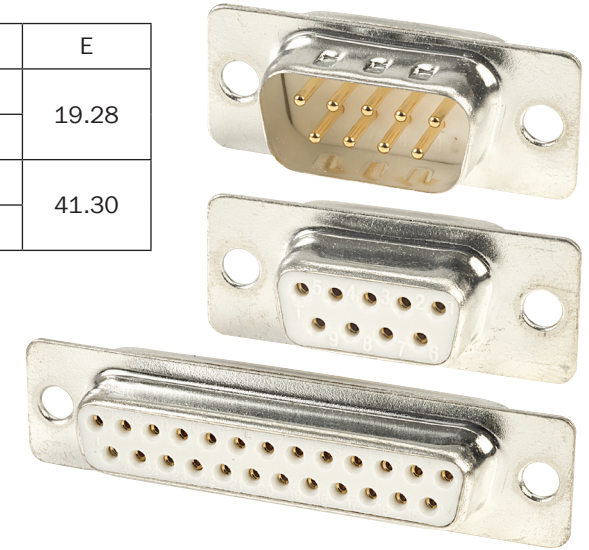
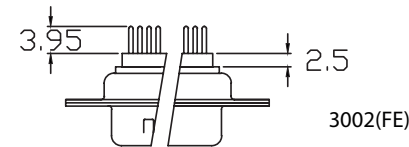
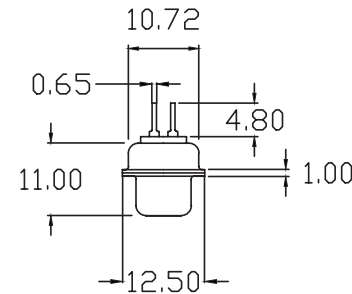
Order code: **15-0585** 25-way PCB Mount Socket



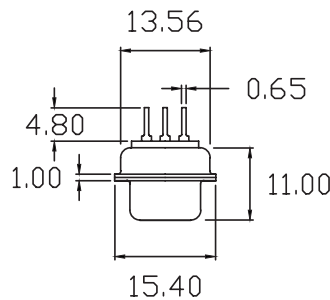
Position	Plus (M)/Recept (F)	A	B	C	D	E
9	Plug (M)	30.81	24.88	16.92	8.36	19.28
	Recept (F)			16.33	7.90	
25	Plug (M)	53.04	47.04	38.96	8.36	41.30
	Recept (F)			38.38	7.90	



(09 PIN ~ 37 PIN)



(50 PIN)



Material & Electrical:

- Insulator: PBT & 30% Glass-fibre UL-94-V0
- Contact: Brass
- Plating: Gold plated over nickel
- Current rating: 5 Amp
- Operating voltage: 250V
- Dielectric strength: 1000V for one minute
- Insulator resistance: 100MΩ min. at 500V DC
- Temperature: -55°C ~ +105°C