

X7 series electrical heavy duty enclosures - polycarbonate

Product overview

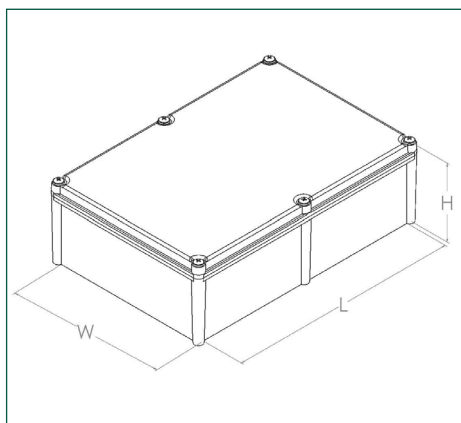
- Heavy duty screw type enclosure
- Moulded in high quality polycarbonate
- PCB pillers in the base for PCB mounting
- Brass inserts in the base
- Gasket supplied
- Clear lid option available
- Captive, polyamide screws included
- Wall mounting facility accessories available
- X7 series has been designed to meet the requirements of IP66/67
- IK07/08 impact tested

CHDX7



SPECIFICATION

Materials	Polycarbonate UL94-V0
Operating temperature	-40°C to +120°C
Protection class	X7 series has been designed to meet the requirements of IP66/67, IK07/08
Standard colours	Grey, transparent lid option
Standard unit Includes	Box and lid, 4 screws
Available accessories	Mount plates, vents, wall mounts



SOLID LID	CLEAR LID	LENGTH	WIDTH	HEIGHT
CHDX7-221	CHDX7-221C	190mm	190mm	130mm
CHDX7-222	CHDX7-222C	380mm	190mm	130mm
CHDX7-223	CHDX7-223C	380mm	190mm	180mm
CHDX7-224	CHDX7-224C	380mm	280mm	180mm
CHDX7-225	CHDX7-225C	430mm	330mm	180mm
CHDX7-226	CHDX7-226C	280mm	190mm	130mm
CHDX7-227	CHDX7-227C	280mm	190mm	180mm
CHDX7-228	CHDX7-228C	280mm	280mm	130mm
CHDX7-229	CHDX7-229C	340mm	280mm	130mm
CHDX7-230	CHDX7-230C	380mm	280mm	130mm
CHDX7-231	CHDX7-231C	560mm	280mm	130mm
CHDX7-232	CHDX7-232C	560mm	380mm	180mm

KEY FEATURES

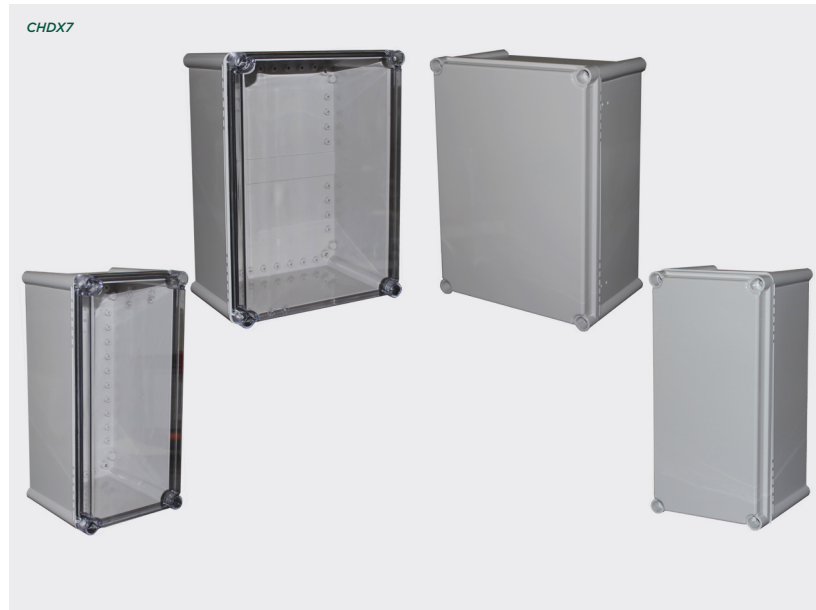
Rugged heavy duty mould | Designed to IP66/67 | PCB stand offs



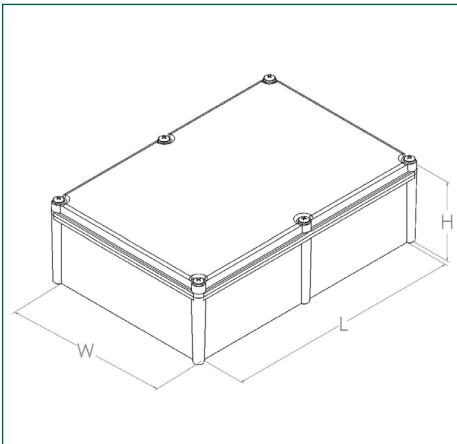
X7 series electrical heavy duty enclosures - ABS

Product overview

- Heavy duty screw type enclosure
- Moulded in high quality ABS
- PCB pillars in the base for PCB mounting
- Brass inserts in the base
- Gasket supplied
- Clear lid option available
- Wall mounting facility accessories available
- Captive, polyamide screws included
- X7 series has been designed to meet the requirements of IP66/67
- IK07/08 impact tested



SPECIFICATION	
Materials	ABS UL94-HB
Operating temperature	-40°C to +85°C
Protection class	X7 series has been designed to meet the requirements of IP66/67, IK07/08
Standard colours	Grey, transparent lid option
Standard unit includes	Box and lid, 4 screws
Available accessories	Mount plates, vents, wall mounts



SOLID LID	CLEAR LID	LENGTH	WIDTH	HEIGHT
CHDX7-321	CHDX7-321C	190mm	190mm	130mm
CHDX7-322	CHDX7-322C	380mm	190mm	130mm
CHDX7-323	CHDX7-323C	380mm	190mm	180mm
CHDX7-324	CHDX7-324C	380mm	280mm	180mm
CHDX7-325	CHDX7-325C	430mm	330mm	180mm
CHDX7-326	CHDX7-326C	280mm	190mm	130mm
CHDX7-327	CHDX7-327C	280mm	190mm	180mm
CHDX7-328	CHDX7-328C	280mm	280mm	130mm
CHDX7-329	CHDX7-329C	340mm	280mm	130mm
CHDX7-330	CHDX7-330C	380mm	280mm	130mm
CHDX7-331	CHDX7-331C	560mm	280mm	130mm
CHDX7-332	CHDX7-332C	560mm	380mm	180mm

KEY FEATURES

Rugged heavy duty mould | Designed to IP66/67 | PCB stand offs

