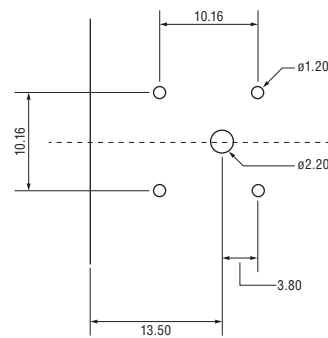
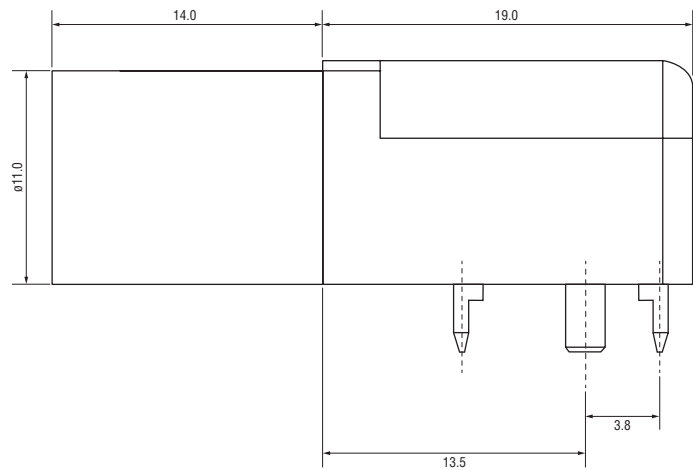
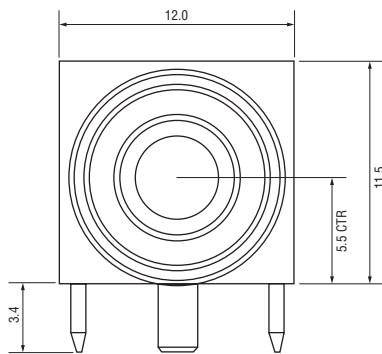


Mate with:	4mm plugs
Number of contacts:	1
Contact material:	Brass
Contact finish:	Gold plated
Insulator material:	ABS

Order code	Order code
17-0001	Black
17-0002	Red



PCB LAYOUT