


# 3.5mm 45° screwless terminal blocks

## Product overview

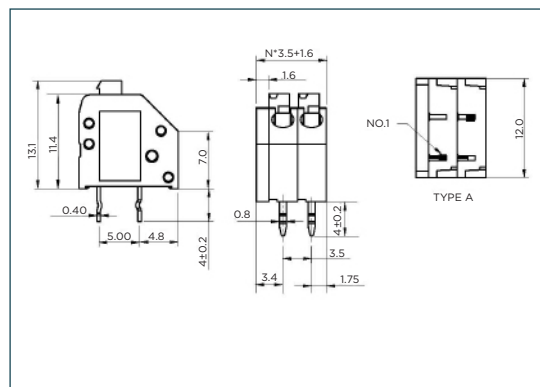
- Interlocking modules
- Easily breakable to desired number of poles
- 45° cable entry
- Kinked pins for soldering retention
- Guided pin alignment
- Offset pinout allows greater voltage clearance
- Choice of 2 pin positions
- Moulded in grey UL94-V0 PA66
- 0,08-1,3mm<sup>2</sup> cable (28-16AWG)
-  approved

### SPECIFICATION

Rating	10A/300V
Insulation withstand voltage	AC2000V/1 min
Insulation resistance	500MΩ at DC500V
Operating temperature	-40°C to +105°C
Moulding	UL94-V0 PA66
Pin/contact	Tin plated phosphor bronze
Recommended PCB hole size	1.2mm

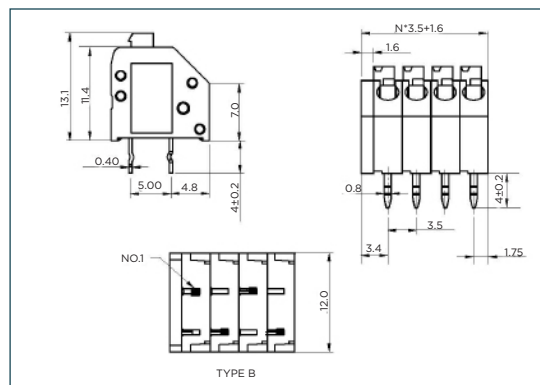
PART NO.	POLES	LENGTH
CSTBP45VDA/2	2	8.6mm
CSTBP45VDA/3	3	12.1mm
CSTBP45VDA/4	4	15.6mm
CSTBP45VDA/5	5	19.1mm
CSTBP45VDA/6	6	22.6mm
CSTBP45VDA/7	7	26.1mm
CSTBP45VDA/8	8	29.6mm
CSTBP45VDA/9	9	33.1mm
CSTBP45VDA/10	10	36.6mm
CSTBP45VDA/11	11	40.1mm
CSTBP45VDA/12	12	43.6mm

CSTBP45VDA



PART NO.	POLES	LENGTH
CSTBP45VDB/2	2	8.6mm
CSTBP45VDB/3	3	12.1mm
CSTBP45VDB/4	4	15.6mm
CSTBP45VDB/5	5	19.1mm
CSTBP45VDB/6	6	22.6mm
CSTBP45VDB/7	7	26.1mm
CSTBP45VDB/8	8	29.6mm
CSTBP45VDB/9	9	33.1mm
CSTBP45VDB/10	10	36.6mm
CSTBP45VDB/11	11	40.1mm
CSTBP45VDB/12	12	43.6mm

CSTBP45VDB



081

TERMINAL STRIPS

095

WIRE TO BOARD  
CONNECTORS

100

CIRCULAR  
CONNECTORS

151

IP68 CONNECTORS

158

INTERFACE  
MODULES AND  
RELAY BASES