




5mm screwless terminal blocks

Product overview

- Interlocking modules
- Easily breakable to desired number of poles
- Guided pin alignment
- Moulded in green UL94-V0 PA66
- 0.08-1.5mm² cable (28-16AWG)
-  approved

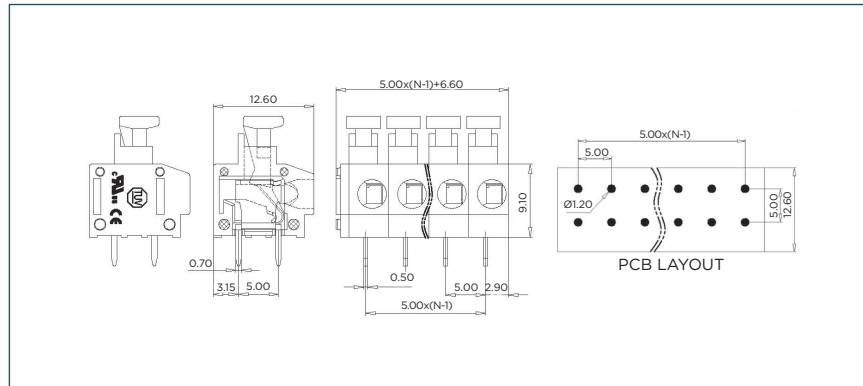
CSTBP500



SPECIFICATION

Rating	10A/300V
Insulation withstand voltage	AC2000V/1 min
Insulation resistance	500MΩ at DC500V
Operating temperature	-40°C to +115°C
Moulding	UL94-V0 PA66
Pin/contact	Tin plated phosphor bronze
Recommended PCB hole size	1.2mm

PART NO.	POLES	LENGTH
CSTBP500/2	2	11.6mm
CSTBP500/3	3	16.6mm
CSTBP500/4	4	21.6mm
CSTBP500/5	5	26.6mm
CSTBP500/6	6	31.6mm
CSTBP500/7	7	36.6mm
CSTBP500/8	8	41.6mm
CSTBP500/9	9	46.6mm
CSTBP500/10	10	51.6mm
CSTBP500/11	11	56.6mm
CSTBP500/12	12	61.6mm



KEY FEATURES

Dual row pins | Screwless actuated cage terminals | Modular design

