


10.16mm pitch low profile rising clamp terminal blocks

Product overview

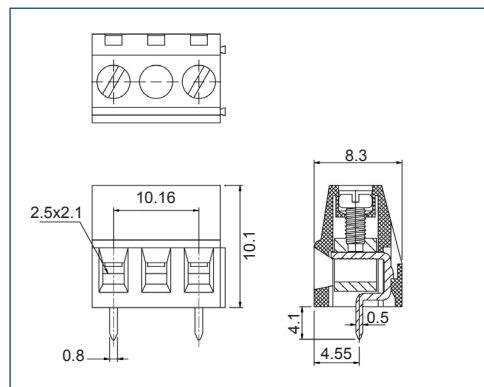
- 2 to 12 pole interlocking
- Professional rising clamp terminals
- Low profile
- Moulded in green UL94-V0 flame retardant PA
- Cable acceptance - 0.13-1.31mm² (26-16 AWG)
- Guided pin alignment
-  approved

CTB0609



SPECIFICATION	
Rating	10A/300V
Dielectric strength	≥2kV
Insulation resistance	5000M Ω/1000V
Working temperature	-33°C to +120°C
Moulding	UL94-V0 flame retardant PA66
Pin/terminal	Brass, tin plated
Wire clamp	Nickel plated brass
Screw/torque	M2.5 steel nickel plated
Recommended PCB hole size	ø1.3mm

PART NO.	POLES	LENGTH
CTB0609/2	2	15.2mm
CTB0609/3	3	24.6mm
CTB0609/4	4	34.76mm
CTB0609/5	5	44.92mm
CTB0609/6	6	55.08mm
CTB0609/7	7	65.24mm
CTB0609/8	8	75.4mm
CTB0609/9	9	85.56mm
CTB0609/10	10	95.72mm
CTB0609/11	11	105.88mm
CTB0609/12	12	116.04mm



KEY FEATURES

2 to 12 pole interlocking | Double interlock mechanism | Professional rising clamp



081

TERMINAL STRIPS

095

WIRE TO BOARD
CONNECTORS

100

CIRCULAR
CONNECTORS

151

IP68 CONNECTORS

158

INTERFACE
MODULES AND
RELAY BASES