



002



PCB TERMINAL
BLOCKS

5mm high power vertical rising clamp terminal blocks

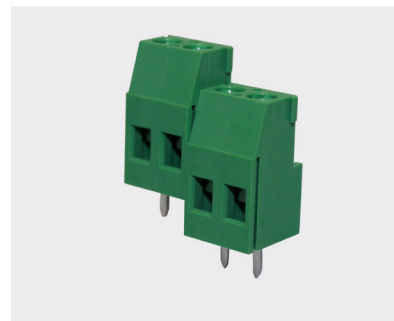
081

TERMINAL STRIPS

Product overview

- 2 and 3 pole double interlocking mechanism for increased strength
- 4-12 pole solid block
- Moulded in green UL94-V0 flame retardant PA66
- Professional rising clamp terminals
- Cable acceptance - 0.13-3.31mm² (26-12AWG)
- Guided pin alignment
- Captive screw
-   approved

CTBP0700



095

WIRE TO BOARD
CONNECTORS

100

CIRCULAR
CONNECTORS

151

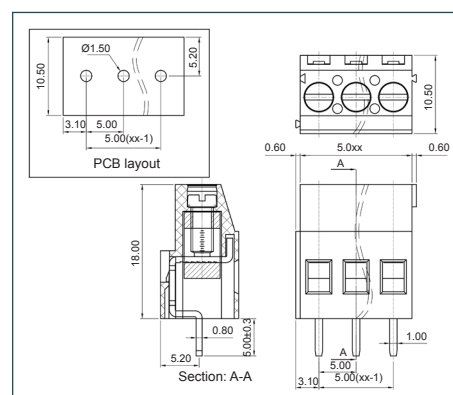
IP68 CONNECTORS

158

INTERFACE
MODULES AND
RELAY BASES

SPECIFICATION	
Rating	UL=20A/300V, VDE=24A/250V
Impulse withstand voltage	2kV/1min
Working temperature	-40°C to +105°C
Moulding	UL94-V0 flame retardant PA66
Pin/terminal	Tinned, nickel plated brass
Rising clamp	Tinned, nickel plated brass
Screw/torque	M3 steel zinc plated, 0.5Nm
Recommended PCB hole size	ø1.5mm

PART NO.	POLES	LENGTH
CTBP0700/2	2	10mm
CTBP0700/3	3	15mm
CTBP0700/4	4	20mm
CTBP0700/5	5	25mm
CTBP0700/6	6	30mm
CTBP0700/7	7	35mm
CTBP0700/8	8	40mm
CTBP0700/9	9	45mm
CTBP0700/10	10	50mm
CTBP0700/11	11	55mm
CTBP0700/12	12	60mm



KEY FEATURES

High power | Double interlock mechanism | Professional rising clamp

