




10mm pitch standard profile 90° rising clamp terminal blocks

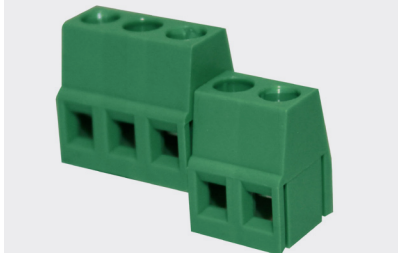
Product overview

- 1 and 2 pole interlocking mechanism
- Moulded in green UL94-V0 flame retardant PA
- Professional rising clamp terminals
- 90° mounting
- Cable acceptance - 0.33-3.31mm² (22-12 AWG)
- Guided pin alignment
- Captive screws
- Anti solder wicking terminals
-  approved

CTBP2550

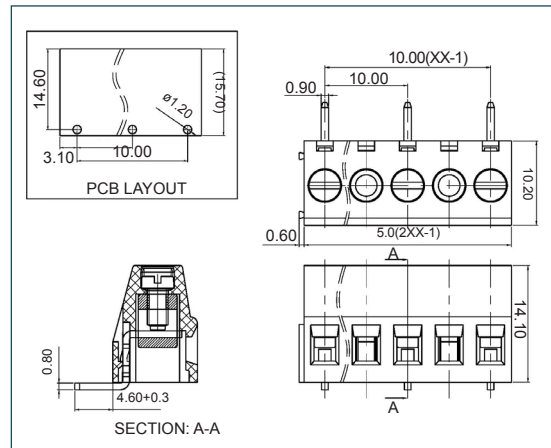


CTBP2550/1/15



SPECIFICATION	
Rating	16A / 300V
Withstand voltage	AC 1600V / 1Min
Working temperature	-40°C to +105°C
Moulding	UL94-V0 flame retardant PA66
Pin/terminal	Tinned, nickel plated brass
Rising clamp	Tinned, nickel plated brass
Screw/torque	M2.5 steel, zinc plated / 0.4Nm
Recommended PCB hole size	Ø1.3mm

PART NO.	POLES	LENGTH
CTBP2550/1	1	10mm
CTBP2550/1/15	1	15mm
CTBP2550/2	2	15mm
CTBP2550/3	3	25mm
CTBP2550/4	4	35mm
CTBP2550/5	5	45mm
CTBP2550/6	6	55mm
CTBP2550/7	7	65mm
CTBP2550/8	8	75mm
CTBP2550/9	9	85mm
CTBP2550/10	10	95mm
CTBP2550/11	11	105mm
CTBP2550/12	12	115mm



KEY FEATURES

Standard profile | Interlocking mechanism | Rising clamp terminals

