



Features:

- 30W Single Output - Regulated
- Output Range: 5.1V - 24VDC
- Input: 90 - 305VAC , 47 - 440Hz
- Low Standby Power <0.1W
- Height 21.7mm
- Fully Isolated Pri - Sec 4000Vrms
- EMC Compliant without external components
- Materials: UL94-V0
- Safety: UL/IEC/EN62368-1, EN60335-1, CE,

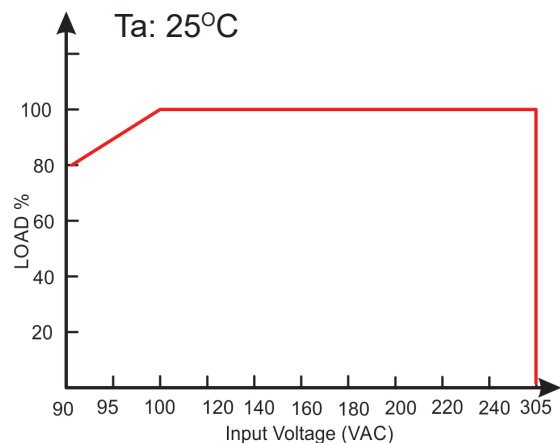
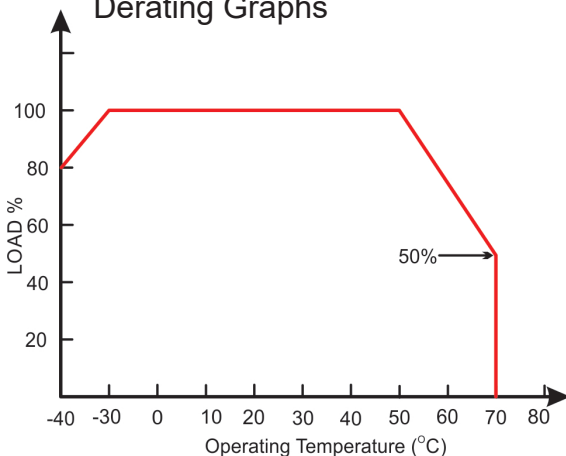
Part Number	Power Rating Watts	Output Voltage (Vdc)	Output Current (mA)	Ambient Temp. (°C)	Efficiency Typical	Input Range
VTX-214-030-205	23	5.1	4600	70	>83%	90 - 305VAC (120-430VDC)
VTX-214-030-207	30	7.5	4000			
VTX-214-030-209	30	9	3333			
VTX-214-030-212	30	12	2500			
VTX-214-030-215	30	15	2000			
VTX-214-030-224	30	24	1250			

Note: Other output voltages are available upon request.

Maximum Capacitive Load:

- 5V: 6800uF
- 12V: 1600uF
- 15V: 1200uF
- 24V: 470uF

Derating Graphs



Please contact Vigortronix for any enquiries. Products can be altered to suit custom requirements.
The information contained in this document is subject to change without notice.

Vigortronix, 16 De Havilland Way, Witney, Oxfordshire, OX29 0YG, UK

Tel. +44 (0)1993 777570 Fax. +44 (0)1993 777580 Web. www.vigortronix.com E-mail: sales@vigortronix.com

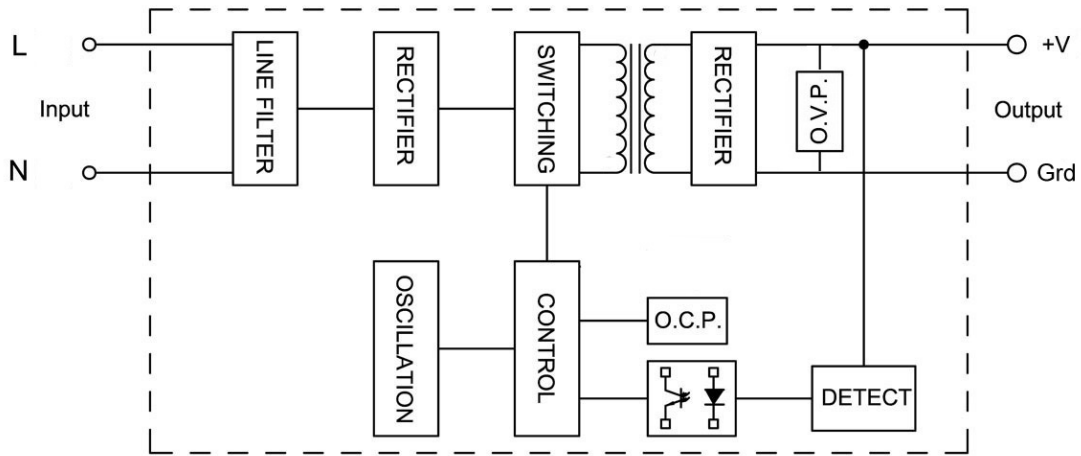
Vigortronix is a trading name of Vigortronix (UK) Limited

Vigortronix.com

Model: 30Watt		Specification
INPUT Pin 1: L Pin 2: N	Voltage Range	90 - 305VAC / 47 - 440Hz (120 ~ 430VDC)
	Current	600mA Max (115VAC) / 400mA Max (230VAC)
	Inrush Current	30A Max (115VAC) / 60A Max (230VAC)
	No Load power	0.1W
	Leakage Current	0.25 mA Max (230VAC)
OUTPUT Pin 3: VDC+ Pin 5: VDC- Pin 4: No Pin	Voltage Accuracy	+/- 2%
	Ripple	<240mV Max (Vp-p)
	Noise	<3% Vout Max (Vp-p)
	Efficiency	>83%
	Load Regulation	+/-1.5% (+/-3% 5.1VDC)
	Hold Up Time	36mSec Min.
	Minimum Load	0
Protection	Over Power	Hiccup mode
	Over Voltage	Zener Diode clamp
	Short Circuit Protection	Hiccup mode
Dielectric Isolation	Input to Output	4000Vrms, 2Sec Min.
Environment	Operating Temperature	-40°C - +70°C (With Derating)
	Storage Temperature	-40°C - +85°C
	MTBF	>400,000Hrs @ 25°C (MIL-HDBK-217F)
	Weight	100g
	Cooling Method	Free Air convection
Safety	Compliant Standards	UL/IEC/EN62368-1, EN60335-1 In progress
EMC	EMI	Compliance with EN55022 Class B
	EMS	Compliance with EN55035

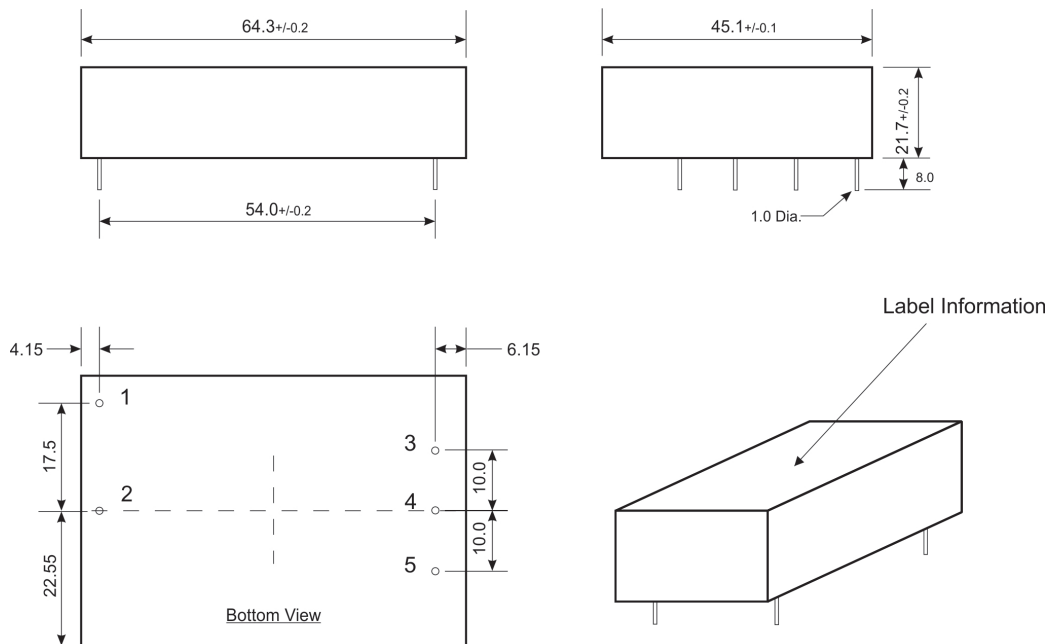
Please contact Vigortronix for any enquiries. Products can be altered to suit custom requirements.
 The information contained in this document is subject to change without notice.

Schematic Diagram



Notes:

Mechanical Layout



No.	Pin	Function
1	L	AC Input Line
2	N	AC Input Neutral
3	+V	DC Output +
4	-	Removed
5	-V	DC Output -

Recommended PCB
Hole size: 1.2mm Dia.

Unit weight: 110g

Please contact Vigortronix for any enquiries. Products can be altered to suit custom requirements.
The information contained in this document is subject to change without notice.

Vigortronix, 16 De Havilland Way, Witney, Oxfordshire, OX29 0YG, UK

Tel. +44 (0)1993 777570 Fax. +44 (0)1993 777580 Web. www.vigortronix.com E-mail: sales@vigortronix.com

Vigortronix is a trading name of Vigortronix (UK) Limited

Vigortronix.com