



Features:

- Low Inrush Current with New Anti-Surge Fail-Safe Module
- Ideal for Electric Vehicle Charging Applications where a Neutral or Earth is required (e.g. Rural areas)
- Low Profile Space Saving Design
- Wall mountable

A range of Single Phase Isolation Transformers, fitted with our proprietary Anti-Surge Module which allows for very low inrush current – sometimes an issue with transformers of this size and construction.

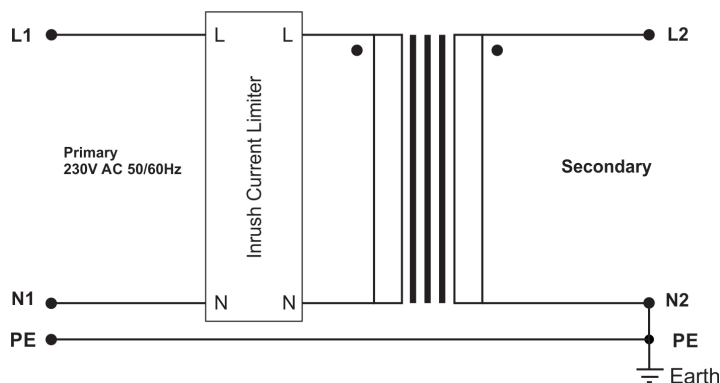
Multi-Purpose design suitable for any isolation application but ideally suited for electric vehicle charging applications where the installer may not have access to a neutral or earth or areas with poor earthing (clay or very dry ground).

Ideal for countries with IT Electrical grid system where there is no Neutral (Norway for example)

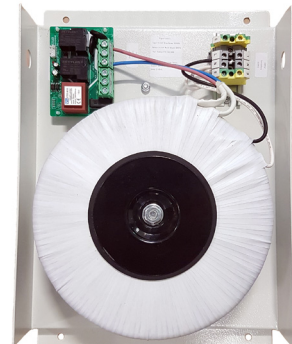
Part Number	Power Rating	Input Voltage (Vac)	Output Current (A)	Connection	Dimensions (L x D x H)	Weight
VTX-148-3000	3.0KVA	230	13	1-Phase	300x145x420	24 Kg
VTX-148-3700	3.7KVA	230	16	1-Phase	300x145x420	30 Kg
VTX-148-4001	4.0KVA	230	17.3	1-Phase	300x145x420	34 Kg
VTX-148-7000	7.0KVA	230	30.4	1-Phase	400x230x420	50 Kg

Note: Other output voltages are available upon request.

Electrical Schematic



Internal Image (VTX-148-4001)



Please contact Vigortronix for any enquiries. Products can be altered to suit custom requirements. The information contained in this document is subject to change without notice.

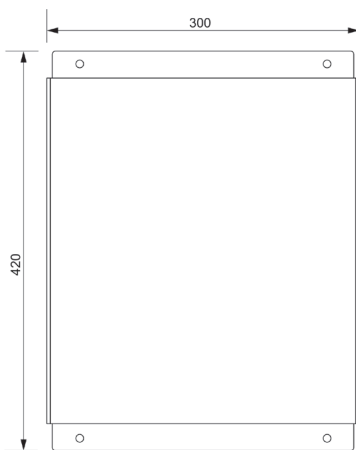
Vigortronix, 16 De Havilland Way, Witney, Oxfordshire, OX29 0YG, UK

Tel. +44 (0)1993 777570 Fax. +44 (0)1993 777580 Web. www.vigortronix.com E-mail: sales@vigortronix.com

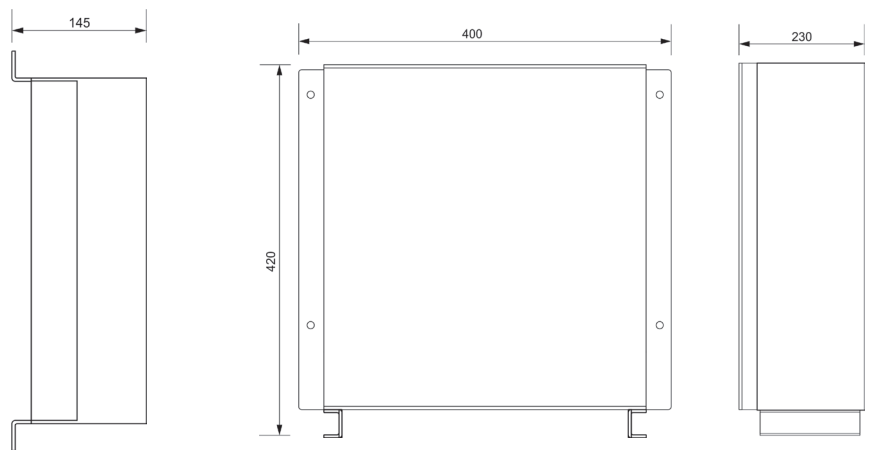
Vigortronix is a trading name of Vigortronix (UK) Limited

Specification	
Input Voltage	230V
Frequency	47 - 63Hz
Inrush Current	Inrush Current Limited
Output Voltage	230V + Neutral
Input to Output Isolation	4200Vrms, 2Sec Min.
Cable Terminal Connectors	0.2 to 10mm Cable Screw Terminal, 65Amp
Ambient Operating Temperature	-25°C - +40°C
Storage Temperature	-40°C - +85°C
Casing Construction	Painted Mild Steel RAL 7032
Degree of Protection	IP20
Cooling Method	Free Air convection
Construction Class	I
Compliant Standards	EN61558-2-4, CE

Dimensions



Case Style VTX148-3000/4001



Case Style VTX148-7000

Please contact Vigortronix for any enquiries. Products can be altered to suit custom requirements.
 The information contained in this document is subject to change without notice.