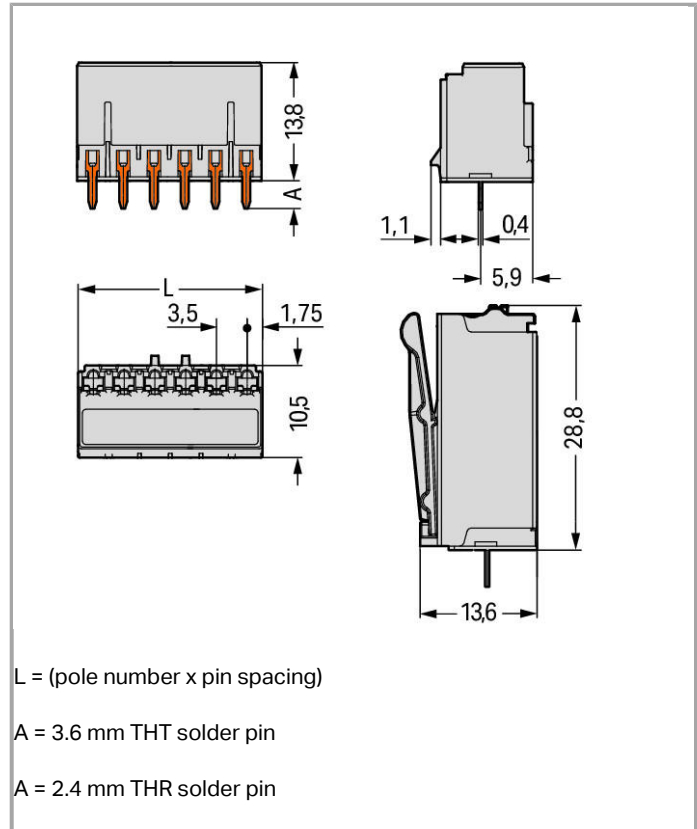


Data sheet | Item number: 2091-1308

THT female header; 0.4 x 0.9 mm solder pin; straight; Pin spacing 3.5 mm; 8-pole

www.wago.com/2091-1308



Item description

- Touch-proof PCB outputs
- Easy-to-identify PCB inputs and outputs
- Coding option available

Data

Electrical data

Ratings per IEC/EN 60664-1

Rated voltage (III / 3)	160 V
Rated impulse voltage (III / 3)	2.5 kV
Rated voltage (III / 2)	160 V
Rated impulse voltage (III / 2)	2.5 kV
Rated voltage (II / 2)	320 V
Rated impulse voltage (II / 2)	2.5 kV



Rated current	10 A
Legend (ratings)	(III / 2) $\hat{=}$ Overvoltage category III / Pollution degree 2

Approvals per UL 1059

Rated voltage UL (Use Group B)	300 V
Rated current UL (Use Group B)	10 A
Rated voltage UL (Use Group D)	300 V
Rated current UL (Use Group D)	10 A

Connection data

No. of poles	8
Total number of potentials	8
Number of levels	1

Geometrical Data

Pin spacing	3.5 mm (0.138 inch)
Width	28 mm / 1.102 inch
Height	17.4 mm / 0.685 inch
Height from the surface	13.8 mm / 0.543 inch
Depth	11.6 mm / 0.457 inch
Solder pin length	3.6 mm
Solder pin dimensions	0.4 x 0.9 mm
Plated through-hole diameter (THR)	1.2 ^(+ 0.1) mm

Plug connection

Contact type (pluggable connector)	Female connector/socket
Connector connection type	for PCBs
Mismating protection	No
Mating direction to the PCB	90°

PCB contact

PCB contact	THR
-------------	-----

Material Data

Color	light gray
Material group	I
Insulating material	Polyphthalamide (PPA GF)
Flammability class per UL94	V0
Contact material	Copper alloy


Contact plating	tin-plated
Fire load	0.099 MJ
Weight	4.08 g

Environmental Requirements




Limit temperature range	-60 ... +100 °C
-------------------------	-----------------

Approvals / Certificates

Country specific Approvals

Logo	Approval	Certificate name
	CB DEKRA Certification B.V.	NL-49736
	KEMA/KEUR DEKRA Certification B.V.	71-102260

UL-Approvals

Logo	Approval	Certificate name
	UR Underwriters Laboratories Inc.	E45171
	UR Underwriters Laboratories Inc.	E45172
	UR Underwriters Laboratories Inc.	E45172

Product family

picoMAX
[Show all products from the family](#)

Subject to changes.