



Female header with angled solder pins; 2-pole; Pin spacing 5 mm / 0.197 in

Item No.: 2092-1322



Marking

RoHS ✓
Compliant

Business data

Supplier	WAGO
Item no.	2092-1322
GTIN / EAN	4050821163688
Content	1

Notes

Item description: Touch-proof PCB outputs Easy-to-identify PCB inputs and outputs Coding option available Safety information 1: The picoMAX® pluggable connection system is designed without breaking capacity for compliance with DIN EN 61984. When used as intended, MCS Connectors shall not be connected/disconnected when live or under load. The circuit design should ensure header pins, which can be touched, are not live when unmated.

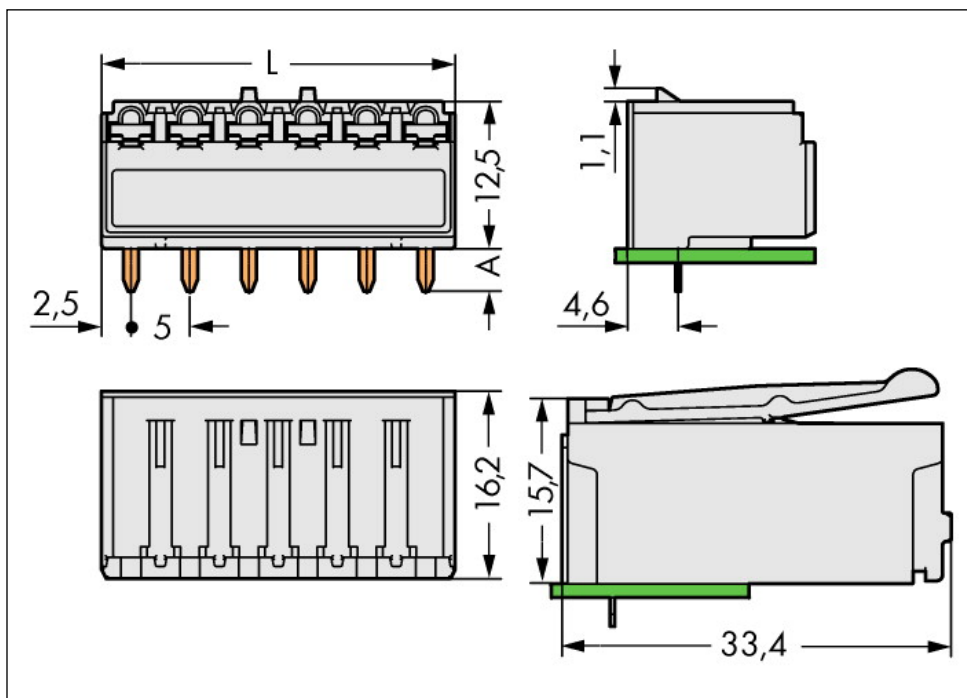
Technical data

Ratings per	IEC/EN 60664-1

Technical data	
Rated voltage (III / 3) [V]	250 [V]
Rated impulse voltage (III / 3) [kV]	4 [kV]
Rated voltage (III/2) [V]	320 [V]
Rated impulse voltage (III / 2) [kV]	4 [kV]
Rated voltage (II / 2) [V]	630 [V]
Rated impulse voltage (II / 2) [kV]	4 [kV]
Rated current [A]	16 [A]
Legend (ratings)	(III / 2) Overvoltage category III / Pollution degree 2
No. of poles	2
Number of levels	1
Pin spacing	5 mm (0.197 in)
Width	10 mm / 0.394 Inch
Height	17.2 mm / 0.677 Inch
Height from the surface	13.6 mm / 0.535 Inch
Depth	15.4 mm / 0.606 Inch
Solder pin length [mm]	3.6 [mm]
Solder pin dimensions	0.4 x 1.3 mm
Drilled hole diameter (tolerance) [mm]	1.5(+ 0.1) [mm]
Contact type (pluggable connector)	Female connector/socket
Connector connection type	for PCBs
Mismating protection	nein
PCB contact	THR
Color	light gray
Material group	I
Insulating material	Polyphthalamide (PPA GF)
Flammability class per UL94	V0
Contact material	Copper alloy
Contact plating	tin-plated
Fire load [MJ]	0.046 [MJ]
Weight [g]	1.95 [g]
Limit temperature range	-60 ... 100 °C
Pin spacing from [in]	0.197 [in]
Pin spacing from [mm]	5 [mm]
Contact type	Female connector/socket; for PCBs

Technical data	
<i>Product Family</i>	<i>picoMAX®</i>
<i>Main product function</i>	<i>Female connector/socket</i>
<i>Product type</i>	<i>Pluggable PCB connectors</i>

Images & drawings



Address

WAGO Kontakttechnik GmbH & Co. KG

Hansastr. 27

32423 Minden

Telefon: 0571/887-0

Fax: 0571/887-169

<http://www.wago.com>

© WAGO Kontakttechnik GmbH & Co. KG

Technische Änderungen und Irrtümer vorbehalten.