



Male connector; 6-pole; Pin spacing 3.5 mm / 0.138 in

Item No.: 2091-1526/002-000



Marking

RoHS ✓
Compliant

Business data

Supplier	WAGO
Item no.	2091-1526/002-000
GTIN / EAN	4050821161370
Content	1

Notes

Item description: Universal connection for all conductor types Simple, push-in termination of solid and ferruled conductors Easy-to-use design does not require special tools Testing parallel to conductor entry – tip contact For “wire-to-wire” and “board-to-wire” connections Integrated release lever Safety information 1: The picoMAX® pluggable connection system is designed without breaking capacity for compliance with DIN EN 61984. When used as intended, MCS Connectors shall not be connected/disconnected when live or under load. The circuit design should ensure header pins, which can be touched, are not live when unmated.

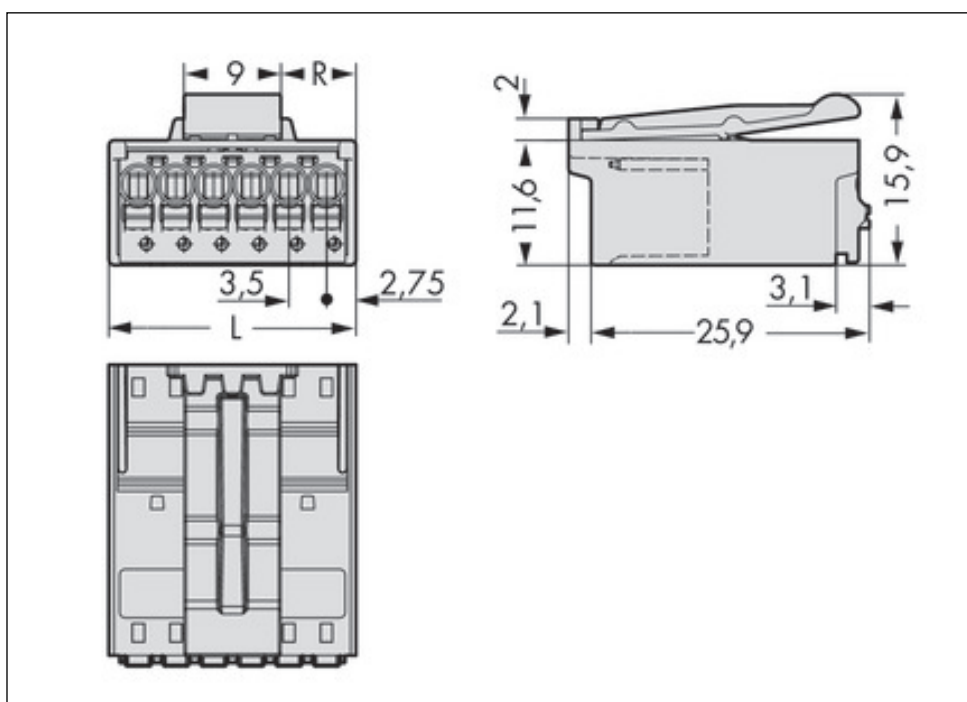
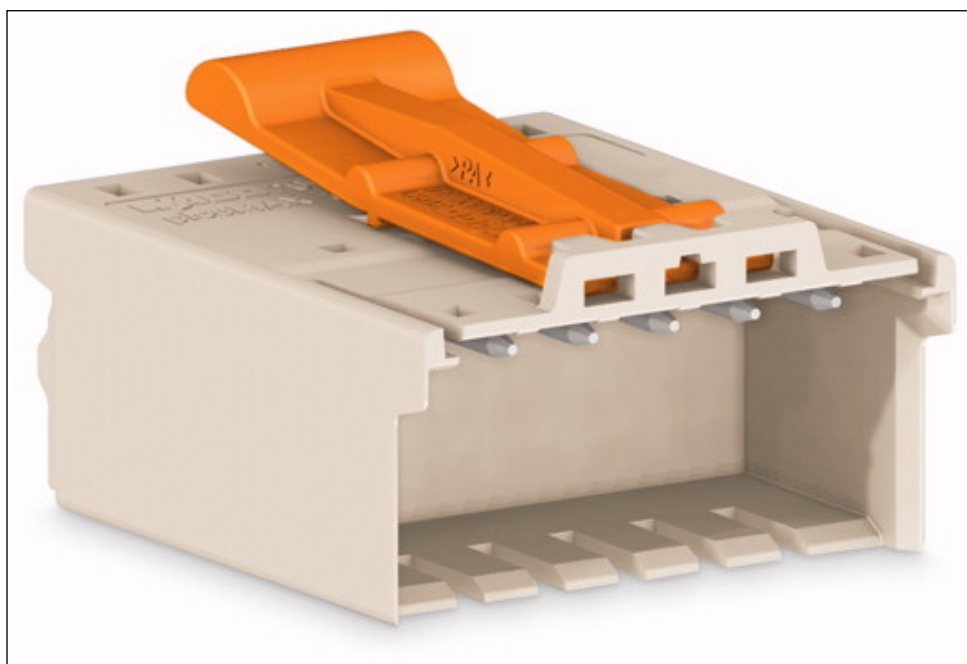
Technical data

Ratings per	IEC/EN 60664-1

Technical data	
Rated voltage (III / 3) [V]	160 [V]
Rated impulse voltage (III / 3) [kV]	2.5 [kV]
Rated voltage (III/2) [V]	160 [V]
Rated impulse voltage (III / 2) [kV]	2.5 [kV]
Rated voltage (II / 2) [V]	320 [V]
Rated impulse voltage (II / 2) [kV]	2.5 [kV]
Rated current [A]	10 [A]
Legend (ratings)	(III / 2) Overvoltage category III / Pollution degree 2
No. of poles	6
Total number of connection points	6
Total number of potentials	6
Number of connection types	1
Number of levels	1
Connection technology	Push-in CAGE CLAMP®
Actuation type	Operating lever
Solid conductor	0.2 ... 1.5 mm ² / 24 ... 14 AWG
Fine-stranded conductor	0.2 ... 1.5 mm ² / 24 ... 14 AWG
Fine-stranded conductor with ferrule with plastic collar	0.25 ... 0.75 mm ²
Fine-stranded conductor with ferrule without plastic collar	0.25 ... 1.5 mm ²
Strip length	8 ... 9 mm / 0.31 ... 0.35 Inch
Pin spacing	3.5 mm (0.138 in)
Width	23 mm / 0.906 Inch
Height	15.9 mm / 0.626 Inch
Depth	28 mm / 1.102 Inch
Contact type (pluggable connector)	Male connector/plug
Connector connection type	for conductors
Mismating protection	nein
Locking of plug-in connection	Male locking latch
Color	light gray
Material group	I
Insulating material	Polyphthalamide (PPA GF)
Flammability class per UL94	V0
Clamping spring material	Chrome nickel spring steel (CrNi)
Contact material	Electrolytic copper (Ecu)
Contact plating	tin-plated

Technical data	
<i>Fire load [MJ]</i>	<i>0.142 [MJ]</i>
<i>Weight [g]</i>	<i>6.057 [g]</i>
<i>Limit temperature range</i>	<i>-60 ... 100 °C</i>
<i>Pin spacing from [in]</i>	<i>0.138 [in]</i>
<i>Pin spacing from [mm]</i>	<i>3.5 [mm]</i>
<i>Contact type</i>	<i>Male connector/plug; for conductors</i>
<i>Product Family</i>	<i>picoMAX®</i>
<i>Main product function</i>	<i>Male connector/plug</i>
<i>Product type</i>	<i>Pluggable PCB connectors</i>

Images & drawings



Address

WAGO Kontakttechnik GmbH & Co. KG

Hansastr. 27

32423 Minden

Telefon: 0571/887-0

Fax: 0571/887-169

<http://www.wago.com>

© WAGO Kontakttechnik GmbH & Co. KG

Technische Änderungen und Irrtümer vorbehalten.